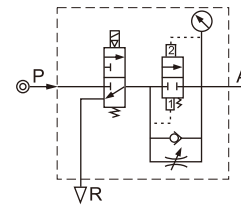


# Preparation unit—G Series

## GV Series soft-start valve



### Symbol



### Product feature

Soft start-up valve is used to input compressed air into pneumatic system slowly and has the effect of safety and protection. Air intake is connected with the input P of Soft start-up valve. If coil is energized, the 3/2 way valve opens. At this time, a little air comes to output A through throttle valve, which increases the pressure of the system gradually; when the output pressure is equal the half of the input pressure, Soft start-up valve completely opens and the flow at this time reaches the highest value of itself. When the coil is de-energized, air intake P closes, the air returns to R orifice through reflux valve and is quickly exhausted. The pressure of the system falls to zero, which protects the whole system.

### Specification

Model	GV200-06	GV200-08	GV300-08	GV300-10	GV300-15	GV400-10	GV400-15
Fluid	Air						
Port size [Note1]	1/8"	1/4"	1/4"	3/8"	1/2"	3/8"	1/2"
Pressure range	0.25~1.0MPa(35~145psi)						
Proof pressure	1.5MPa(215psi)						
Temperature range	-20~70°C						
Acting type	Solenoid control						
Exhaust port size	1/4"		3/8"			1/2"	
Power connection	Terminal, Grommet						
Standard voltage	AC220V、110V、24V(50\60Hz);DC12V、24V						
Voltage range	-15%~+10%						
Insulation	Class B						
Power consumption	AC:3.5VA ; DC:2.5W						
Optional pressure gauge	F: Square pressure gauge ; C: Circular pressure gauge						
Suitable F.R.L type	GC200-06 GAC200-06	GC200-08 GAC200-08	GC300-08 GAC300-08	GC300-10 GAC300-10	GC300-15 GAC300-15	GC400-10 GAC400-10	GC400-15 GAC400-15

[Note1] PT thread, G thread and NPT thread are available.

### Ordering code

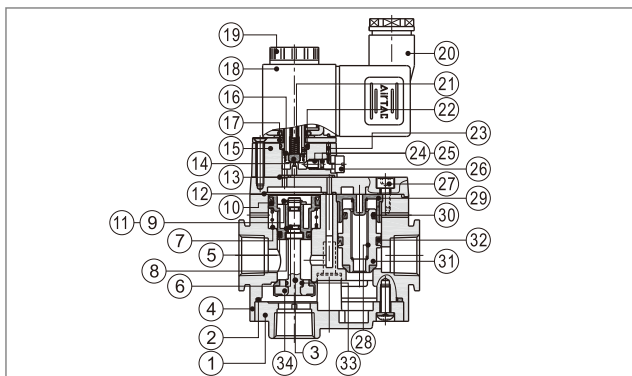
GV300 10 □ □ F 1 A □ G

① ② ③ ④ ⑤ ⑥ ⑦ ⑧ ⑨

① Model	② Port size	③ Accessories	④ Pressure gauge	⑤ Pressure gauge shape	⑥ Scale	⑦ Voltage	⑧ Electrical entry	⑨ Thread type
GV200: 200 Series soft start-up valve	06: 1/8" 08: 1/4"	Blank: Bracket	Blank: Pressure gauge			A: AC220V(50/60Hz) B: DC24V C: AC110V(50/60Hz) E: AC24V(50/60Hz) F: DC12V	Blank: Terminal I: Grommet	Blank: PT G: G T: NPT
GV300: 300 Series soft start-up valve	08: 1/4" 10: 3/8" 15: 1/2"	J: No bracket (standard configuration)	N: No pressure gauge	F: Square C: Circular	1: MPa 2: psi 3: bar			
GV400: 400 Series soft start-up valve	10: 3/8" 15: 1/2"							

Note: When it is used with F.R.L. combination, extra mounting bracket is necessary. Please refer to P181 for order detail.

### Inner structure

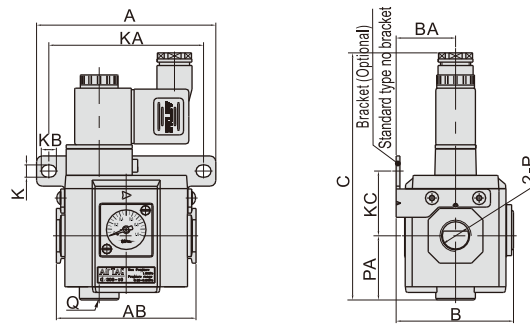


No.	Item	No.	Item	No.	Item
1	Bottom cover	13	Gasket	25	Spring
2	Gasket	14	Gasket	26	Manual override
3	Spool	15	Pilot kit	27	Fixed screw
4	Body	16	Spring	28	Spring
5	O-ring	17	Fixed plate	29	Valve spool
6	O-ring	18	Coil set	30	O-ring
7	Spring	19	Nut	31	Valve spool
8	Inlet piston	20	Connector	32	O-ring
9	Piston gasket	21	Spring	33	O-ring
10	O-ring	22	O-ring	34	Inlet plug
11	Snap ring	23	Manual override block		
12	Gasket	24	O-ring		



## GV Series soft-start valve

### Dimensions



Model/Item	A	AB	B	BA	C	K	KA	KB	KC	P	PA	Q
GV20006	80	59	57	24.5	123.5	5.5	67	8	30.5	1/8"	30	1/4"
GV20008										1/4"		
GV30008	95	74	62.2	31.5	131	6.5	82	8	34.5	1/4"	34	3/8"
GV30010										3/8"		
GV30015										1/2"		
GV40010	120	90	80	40.5	142.5	8.5	102	11	39	3/8"	40.5	1/2"
GV40015										1/2"		

### Attention

Manually adjust the "+" and "-" throttle screw at the bottom of the soft start-up valve as per the requirement of start speed. It shall go slowly, otherwise sudden acting of the product or system shall be caused with a heavy impact.

