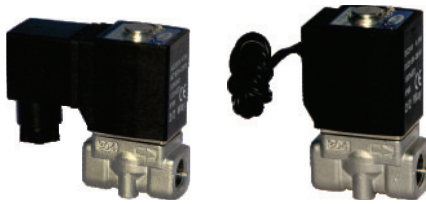


Fluid control valve(2/2way)

2S Series (Direct-acting and normally closed)



Symbol

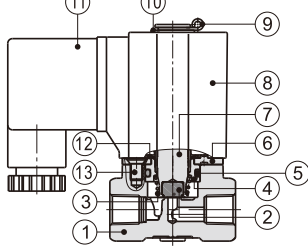


Product feature

1. Direct acting and normally closed type 2/2 way solenoid valve. Its high sensibility allows it to change direction quickly;
2. It has wide pressure range, including extra high pressure (X), high pressure (H), standard , large volume(L) and extra large volume (T) to choose from;
3. It is compact, small size and light weight. It is easy to install and dismantle.
4. The valve body is made of SUS304 . Its coil has a Heat resistance classification of Class B. The standard seal material is FPM-F. Please contact us if other material are required.
5. The protection class of the coil is IP65 and there is a choice for grommet or terminal electrical entry .

Inner structure

2S030(Terminal)



No.	Item	No.	Item
1	Body	8	Coil assembly
2	Airtight ring	9	E Clip
3	Spring	10	Gasket
4	Fixed cap	11	Connector
5	O-ring	12	Washer
6	Fixed plate	13	Screw
7	Movable core		

Specification

Model\Item	Port size [Note1]	Orifice size (Φmm)	Cv	Valid area or section (mm ²)	Weight [Note2](g)	Max. operating pressure differential		Proof pressure		
						MPa	psi	MPa	psi	
2SX030	-06	1/8"	1.5	0.10	1.8	300	3.0	450	5.0	750
	-08	1/4"								
2SH030	-06	1/8"	2.0	0.18	3.0	300	2.0	300		
	-08	1/4"								
2S030	-06	1/8"	3.0	0.33	6.0	300	1.0	150		
	-08	1/4"								
2SL030	-06	1/8"	4.0	0.55	10.0	300	0.5	75		
	-08	1/4"								
2ST030	-06	1/8"	6.0	1.10	12.0	300	0.1	15		
	-08	1/4"								
2SX050	-10	3/8"	3.0	0.34	6.1	600	3.0	450		
	-15	1/2"								
2SH050	-10	3/8"	4.0	0.55	10.0	600	2.0	300		
	-15	1/2"							590	
2S050	-10	3/8"	5.0	0.83	15.0	600	1.0	150		
	-15	1/2"							590	
2SL050	-10	3/8"	7.0	1.40	25.0	600	0.5	75		
	-15	1/2"							590	
2ST050	-10	3/8"	10.0	2.20	40.0	600	0.1	15		
	-15	1/2"							590	

[Note1] G thread is available.

[Note2] The weight in the table is the terminal valve's weight, 2S030 series grommet valve's weight is 10g less than terminal's. 2S050series grommet valve's weight is 20g less than terminal's.

Specification of coil

Valve type	Coil type	Power type	Frequency (Hz)	Voltage range	Electrical entry	Power Consumption (VA/W)	Insulation	Temp. rise(°C)
2S□030	CDA116 CLA116	AC	50	± 15%	Terminal (CDA)	10.0VA	Class B	35
			60			8.0VA		30
		DC	-	± 10%		6.5W		30
2S□050	CDA170 CLA170	AC	50	± 15%	Grommet (CLA)	25.0VA		60
			60			22.0VA		55
		DC	-	± 10%		10.5W		40

Valve's specification

Acting		Direct acting				
Initial state		Normally closed				
Adaptable fluid		Air, Water, Oil				
Viscosity limit		Under 20CST				
Ambient and fluid temperature (°C)			Water	Air	Oil	Ambient
		Max.	80	90	80	70
		Min.	1	-20 [Note1]	-10 [Note2]	-20

[Note1] Dew point: -20(°C) or less;

[Note2] 50CST or less.

Ordering code

Ordering code of valves

2S L 030 08 A □ G



① Model	② Pressure condition	③ Size series	④ Port size	⑤ Voltage	⑥ Electrical entry	⑦ Thread type
2S: 2/2 way direct-acting and normally closed	X: Extra high pressure H: High pressure Blank: Standard L: Large volume T: Extra large volume	030: 030 Series 050: 050 Series	06: 1/8" 08: 1/4" 10: 3/8" 15: 1/2"	A: AC220V B: DC24V C: AC110V E: AC24V F: DC12V	Blank: Terminal I: Grommet	G: G

Ordering code of accessories

F-2S030 LB

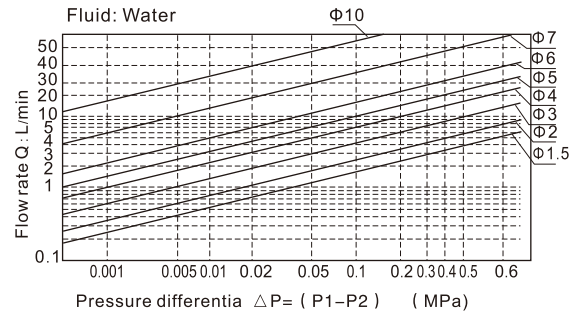
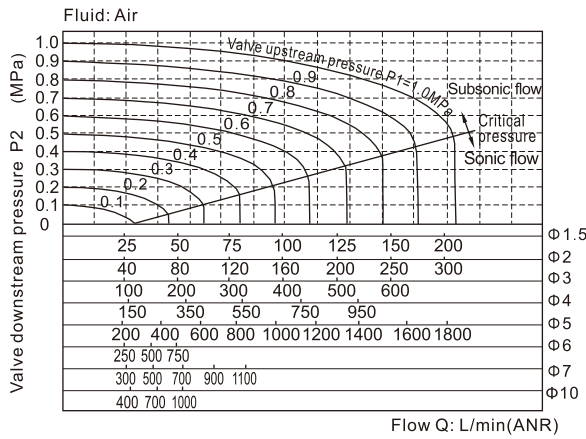


① Accessories code	② Valve type	③ Accessories type
F: Mounting accessories	2S030: 030 Series valve 2S050: 050 Series valve	LB: LB Type

Fluid control valve(2/2way)

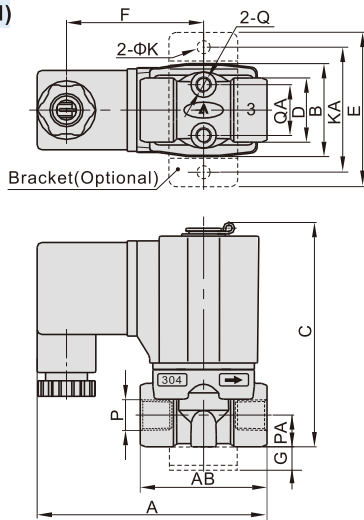
2S Series (Direct-acting and normally closed)

Flow chart

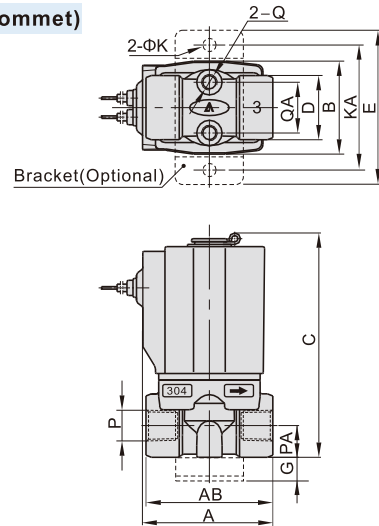


Dimensions

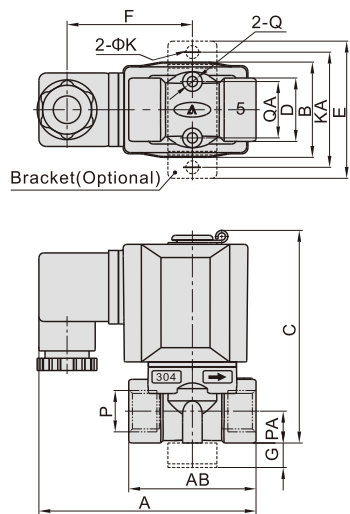
2S□030 (Terminal)



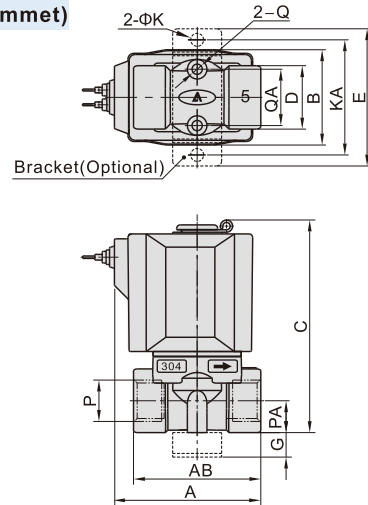
2S□030(Grommet)



2S□050 (Terminal)



2S□050(Grommet)



Model\Item	A	AB	B	C	D	E	F	G	K	KA	P	PA	Q	QA
2S□030-06	72.5	40	29.5	71	20	49	43.5	10	5.3	40	1/8"	10	M5	16
2S□030-08	72.5	40	29.5	71	20	49	43.5	10	5.3	40	1/4"	10	M5	16
2S□050-10	89.5	52	39	87	26	56	51	10	5.3	48	3/8"	13	M5	23
2S□050-15	89.5	52	39	87	26	56	51	10	5.3	48	1/2"	13	M5	23

Model\Item	A	AB	B	C	D	E	G	K	KA	P	PA	Q	QA
2S□030-06	41	40	29.5	71	20	49	10	5.3	40	1/8"	10	M5	16
2S□030-08	41	40	29.5	71	20	49	10	5.3	40	1/4"	10	M5	16
2S□050-10	60	52	39	87	26	56	10	5.3	48	3/8"	13	M5	23
2S□050-15	60	52	39	87	26	56	10	5.3	48	1/2"	13	M5	23