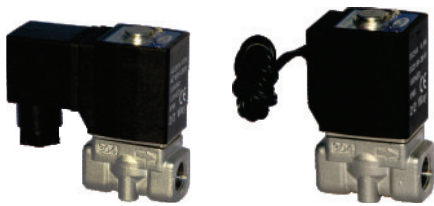


Fluid control valve(2/2 way)

2L Series (Direct-acting and normally closed)



Symbol

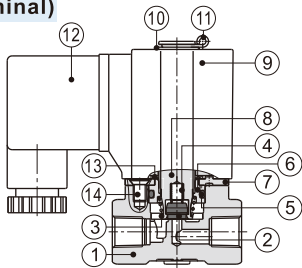


Product feature

1. Direct acting and normally closed type 2/2 way solenoid valve. Its high sensibility allows it to change direction quickly;
2. It has wide pressure range, including standard high pressure (H) to choose from;
3. It is compact, small size and light weight. It is easy to install and dismantle.
4. The valve body is made of SUS304 . Its coil has a Heat resistance classification of Class H. The standard seal material is PTFE(Teflon) which is suitable for a variety of working medium such as water with high temperature and vapour.
5. The protection class of the coil is IP65 and there is a choice for grommet or terminal electrical entry .

Inner structure

2L030 (Terminal)



No.	Item	No.	Item	No.	Item
1	Body	6	Fixed cap	11	E Clip
2	Airtight ring	7	Fixed plate	12	Connector
3	Spring	8	Movable core	13	Bead flange
4	Spring	9	Coil assembly	14	Screw
5	O-ring	10	Washer		

Ordering code

Ordering code of valves

2L H 030 08 A □ G

① ② ③ ④ ⑤ ⑥ ⑦

① Model	② Pressure condition	③ Size series	④ Port size	⑤ Voltage	⑥ Electrical entry	⑦ Thread type
2L: 2/2 way direct-acting and normally closed	H: High pressure Blank: Standard	030: 030 Series	06: 1/8" 08: 1/4"	A: AC220V B: DC24V C: AC110V E: AC24V F: DC12V	Blank: Terminal I: Grommet	G: G
		050: 050 Series	10: 3/8" 15: 1/2"			

Ordering code of accessories

Ordering code of accessories is the same as 2S series valve's, Please refer to P148 for details of ordering code.

Specification

Model\Item	Port size [Note1]	Orifice size (Φmm)	Cv	Valid area or section (mm ²)	Weight [Note2](g)	Max. operating pressure differential		Proof pressure	
						MPa	psi	MPa	psi
2LH030	-06 1/8"	2.0	0.18	3.0	300	2.0	300	3.0	450
	-08 1/4"								
2L030	-06 1/8"	3.0	0.33	6.0	300	1.0	150		
	-08 1/4"								
2LH050	-10 3/8"	4.0	0.55	10.0	600	2.0	300		
	-15 1/2"								
2L050	-10 3/8"	5.0	0.83	15.0	600	1.0	150		
	-15 1/2"								

[Note1] G thread is available.

[Note2] The weight in the table is the terminal valve's weight, 2L030 series grommet valve's weight is 10g less than terminal's. 2L050 series grommet valve's weight is 20g less than terminal's.

Specification of coil

Valve type	Coil type	Power type	Frequency (Hz)	Voltage range	Electrical entry	Power Consumption (VA/W)	Insulation	Temp. rise(°C)	
2L□030	CDA116 CLA116	AC	50	± 15%	Terminal (CDA)	10.0VA	Class H	35	
			60			8.0VA		30	
		DC	-	± 10%		6.5W		30	
2L□050	CDA170 CLA170	AC	50	± 15%	Grommet (CLA)	25.0VA		Class H	60
			60			22.0VA			55
		DC	-	± 10%		10.5W			40

Valve's specification

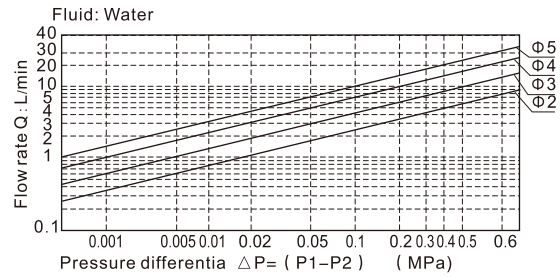
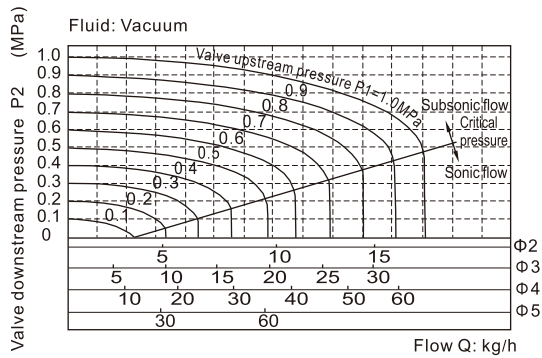
Acting	Direct acting				
	Initial state	Normally closed			
Adaptable fluid	Steam, High temperature Water, Oil				
Viscosity limit	Under 20CST				
Ambient and fluid temperature (°C)		Oil	Water	Steam	Ambient
	Max.	150	150	183	100
	Min.	-10 [Note1]	1	-	-20

[Note1] 50CST or less.

Fluid control valve(2/2 way)

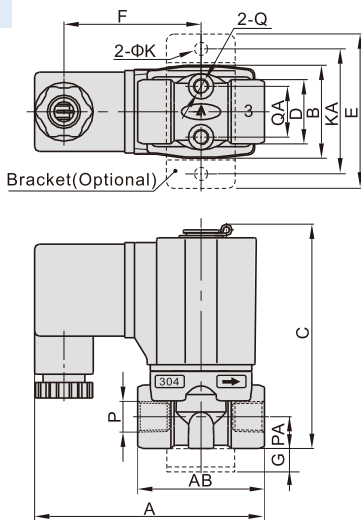
2L Series (Direct-acting and normally closed)

Flow chart

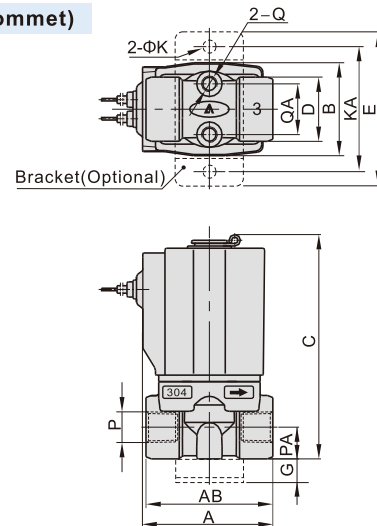


Dimensions

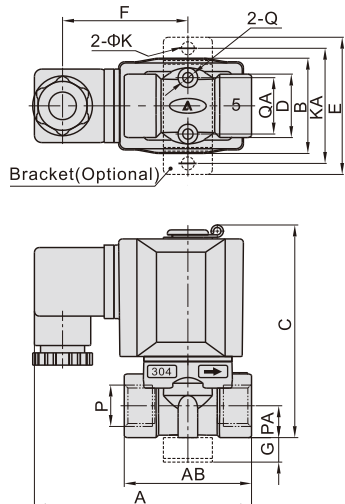
2L□030(Terminal)



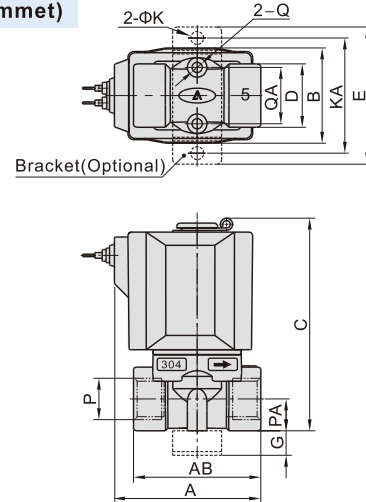
2L□030(Grommet)



2L□050(Terminal)



2L□050(Grommet)



Model\Item	A	AB	B	C	D	E	F	G	K	KA	P	PA	Q	QA
2L□030-06	72.5	40	29.5	71	20	49	43.5	10	5.3	40	1/8"	10	M5	16
2L□030-08	72.5	40	29.5	71	20	49	43.5	10	5.3	40	1/4"	10	M5	16
2L□050-10	89.5	52	39	87	26	56	51	10	5.3	48	3/8"	13	M5	23
2L□050-15	89.5	52	39	87	26	56	51	10	5.3	48	1/2"	13	M5	23

Model\Item	A	AB	B	C	D	E	G	K	KA	P	PA	Q	QA
2L□030-06	41	40	29.5	71	20	49	10	5.3	40	1/8"	10	M5	16
2L□030-08	41	40	29.5	71	20	49	10	5.3	40	1/4"	10	M5	16
2L□050-10	60	52	39	87	26	56	10	5.3	48	3/8"	13	M5	23
2L□050-15	60	52	39	87	26	56	10	5.3	48	1/2"	13	M5	23