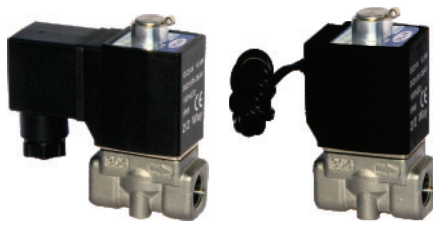


Fluid control valve(2/2 way)

2KS Series (Direct-acting and normally opened)



Symbol

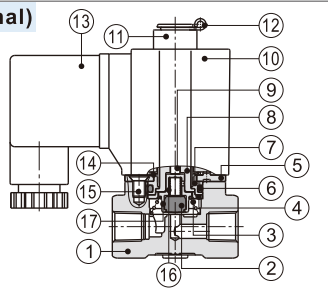


Product feature

1. Direct acting and normally opened type 2/2 way solenoid valve. Its high sensibility allows it to change direction quickly;
2. It has wide pressure range, including extra high pressure (X), high pressure (H), standard and large volume(L) to choose from;
3. It is compact, small size and light weight. It is easy to install and dismantle.
4. The valve body is made of SUS304. Its coil has a Heat resistance classification of Class B. The standard seal material is FPM-F. Please contact us if other material are required.
5. The protection class of the coil is IP65 and there is a choice for grommet or terminal electrical entry .

Inner structure

2KS030(Terminal)



No.	Item	No.	Item
1	Body	10	Coil assembly
2	Airtight ring	11	Position ring
3	Spring	12	E Clip
4	Bead flange	13	Connector
5	Fixed plate	14	Washer
6	O-ring	15	Screw
7	Fixed cap	16	Spring
8	Electromagnet	17	Airtight bush
9	Man drill		

Specification

Model\Item	Port size [Note1]	Orifice size (Φmm)	Cv	Valid area or section (mm ²)	Weight [Note2](g)	Max. operating pressure differential		Proof pressure	
						MPa	psi	MPa	psi
2KSX030	-06 1/8"	1.5	0.10	1.8	305	2.0	300	3.0	450
	-08 1/4"				295				
2KSH030	-06 1/8"	2.0	0.18	3.0	305	1.5	220		
	-08 1/4"				295				
2KS030	-06 1/8"	3.0	0.33	6.0	305	0.7	100		
	-08 1/4"				295				
2KSL030	-06 1/8"	4.0	0.55	10.0	305	0.4	60		
	-08 1/4"				295				
2KSX050	-10 3/8"	3.0	0.34	6.1	610	2.0	300		
	-15 1/2"				600				
2KSH050	-10 3/8"	4.0	0.55	10.0	610	1.5	220		
	-15 1/2"				600				
2KS050	-10 3/8"	5.0	0.83	15.0	610	0.7	100		
	-15 1/2"				600				
2KSL050	-10 3/8"	7.0	1.40	25.0	610	0.4	60		
	-15 1/2"				600				

[Note1] G thread is available.

[Note2] The weight in the table is the terminal valve's weight, 2KS030 series grommet valve's weight is 10g less than terminal's. 2KS050series grommet valve's weight is 20g less than terminal's.

Specification of coil

Valve type	Coil type	Power type	Frequency (Hz)	Voltage range	Electrical entry	Power Consumption (VA/W)	Insulation	Temp. rise(°C)		
2KS□030	CDA116 CLA116	AC	50	± 15%	Terminal (CDA)	15.0VA	Class B	50		
			60			11.0VA		40		
		DC	-	± 10%		6.5W		30		
2KS□050	CDA170 CLA170	AC	50	± 15%		Grommet (CLA)		35.0VA	Class B	65
			60					30.0VA		60
		DC	-	± 10%				10.5W		40

Valve's specification

Acting		Direct acting			
Initial state		Normally opened			
Adaptable fluid		Air, Water, Oil			
Viscosity limit		Under 20CST			
Ambient and fluid temperature (°C)		Water	Air	Oil	Ambient
	Max.	80	90	80	70
	Min.	1	-20 [Note1]	-10 [Note2]	-20

[Note1] Dew point: -20(°C) or less;

[Note2] 50CST or less.

Ordering code

Ordering code of valves

2KS H 030 08 A □ G



① Model	② Pressure condition	③ Size series	④ Port size	⑤ Voltage	⑥ Electrical entry	⑦ Thread type
2KS: 2/2 way direct-acting and normally opened	X: Extra high pressure H: High pressure Blank: Standard L: Large volume	030: 030 Series 050: 050 Series	06: 1/8" 08: 1/4" 10: 3/8" 15: 1/2"	A: AC220V B: DC24V C: AC110V E: AC24V F: DC12V	Blank: Terminal I: Grommet	G: G

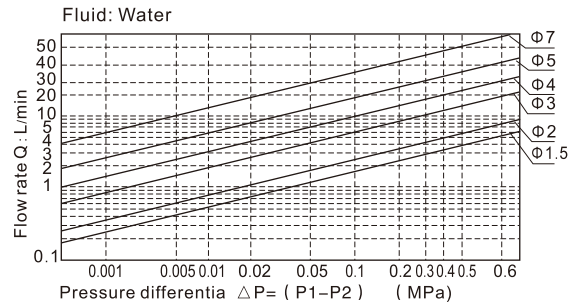
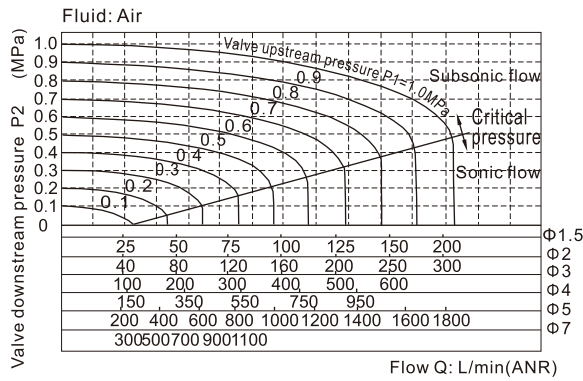
Ordering code of accessories

Ordering code of accessories is the same as 2S series valve's, Please refer to P148 for details of ordering code.

Fluid control valve(2/2 way)

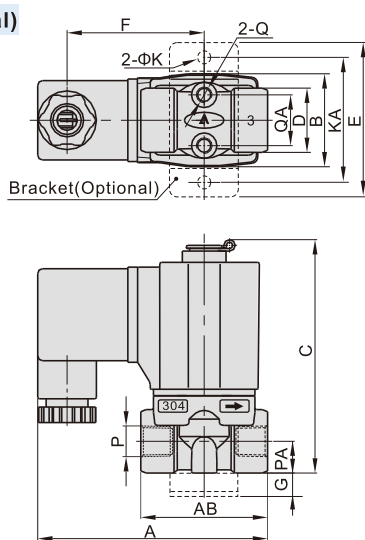
2KS Series (Direct-acting and normally opened)

Flow chart

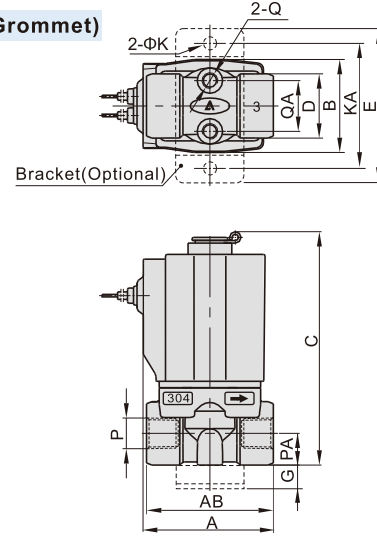


Dimensions

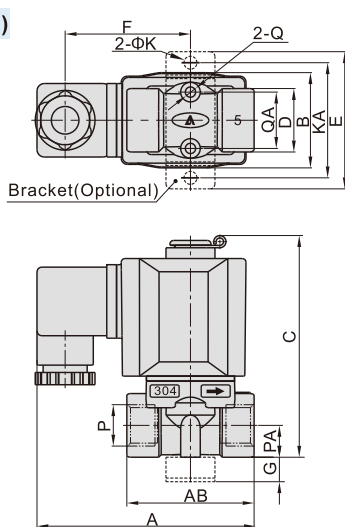
2KS□030 (Terminal)



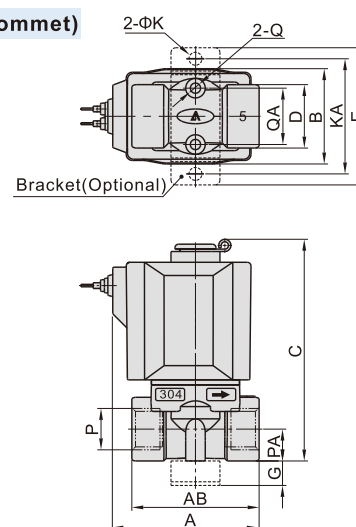
2KS□030 (Grommet)



2KS□050 (Terminal)



2KS□050 (Grommet)



Model/Item	A	AB	B	C	D	E	F	G	K	KA	P	PA	Q	QA
2KS□030-06	72.5	40	29.5	76	20	49	43.5	10	5.3	40	1/8"	10	M5	16
2KS□030-08	72.5	40	29.5	76	20	49	43.5	10	5.3	40	1/4"	10	M5	16
2KS□050-10	89.5	52	39	92	26	56	51	10	5.3	48	3/8"	13	M5	23
2KS□050-15	89.5	52	39	92	26	56	51	10	5.3	48	1/2"	13	M5	23

Model/Item	A	AB	B	C	D	E	G	K	KA	P	PA	Q	QA
2KS□030-06	41	40	29.5	76	20	49	10	5.3	40	1/8"	10	M5	16
2KS□030-08	41	40	29.5	76	20	49	10	5.3	40	1/4"	10	M5	16
2KS□050-10	60	52	39	92	26	56	10	5.3	48	3/8"	13	M5	23
2KS□050-15	60	52	39	92	26	56	10	5.3	48	1/2"	13	M5	23