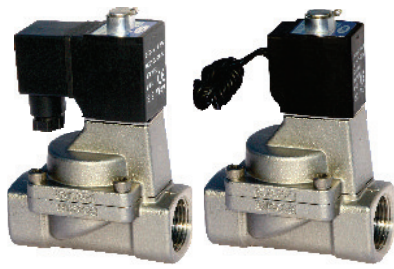


Fluid control valve(2/2 way)

2KL Series (Internally piloted and normally opened)



Symbol

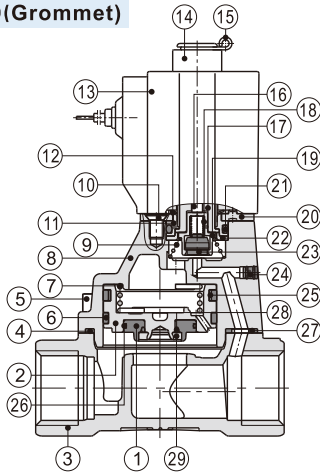


Product feature

1. Indirect acting (Internal pilot) and normally opened type 2/2 way solenoid valve. Its high sensibility allows it to change direction quickly.
2. It is compact, small size and light weight. It is easy to install and dismantle.
3. The valve body is made of SUS304. Its coil has a Heat resistance classification of Class H. The standard seal material is PTFE (Teflon) which is suitable for a variety of working medium such as water with high temperature and vapour.
4. The protection class of the coil is IP65 and there is a choice for grommet or terminal electrical entry.

Inner structure

2KL150(Grommet)



No.	Item	No.	Item
1	Gasket	16	Man drill
2	Piston	17	Electromagnet
3	Body	18	Spring
4	Gasket	19	Airtight bush
5	Screw	20	Fixed plate
6	Wear ring	21	O-ring
7	Spring	22	Fixed ring
8	Cover	23	Airtight ring
9	Spring	24	Plug
10	Screw	25	Spring
11	Fixed cap	26	O-ring
12	Bead flange	27	Bush
13	Coil assembly	28	O-ring
14	Position ring	29	Fixed ring
15	E Clip		

Specification

Model\Item	Port size [Note1]	Orifice size (Φmm)	Cv	Valid area or section (mm ²)	Weight [Note2](g)	Operating pressure differential		Proof pressure	
						MPa	psi	MPa	psi
2KL150-15	1/2"	15.0	5.50	100.0	675	Max: 0.7 Min: 0.05	Max: 100 Min: 10	1.5	220
2KL200-20	3/4"	20.0	9.50	170.0	880				
2KL250-25	1"	25.0	12.50	220.0	1125				
2KL320-32	1 1/4"	35.0	23.00	420.0	2710				
2KL400-40	1 1/2"	40.0	31.00	560.0	3260				
2KL500-50	2"	50.0	49.00	880.0	4310				

[Note1] G thread is available.

[Note2] The weight in the table is the terminal valve's weight, 2KL150~250 series grommet valve's weight is 10g less than terminal's. 2KL320~500 series grommet valve's weight is 20g less than terminal's.

Specification of coil

Valve type	Coil type	Power type	Frequency (Hz)	Voltage range	Electrical entry	Power Consumption (VA/W)	Insulation	Temp. rise(°C)
2KL150 2KL200 2KL250	CDA116 CLA116	AC	50	± 15%	Terminal (CDA) Grommet (CLA)	15.0VA	Class H	50
			60			11.0VA		40
	DC	—	± 10%	6.5W		30		
2KL320 2KL400 2KL500	CDA170 CLA170	AC	50	± 15%		35.0VA		65
			60			30.0VA		60
	DC	—	± 10%	10.5W		40		

Valve's specification

Acting	Internally piloted				
Initial state	Normally opened				
Adaptable fluid	Steam, High temperature Water, Oil				
Viscosity limit	Under 20CST				
Ambient and fluid temperature (°C)		Oil	Water	Steam	Ambient
	Max.	150	150	183	100
	Min.	-10 [Note1]	1	—	-20

[Note1] 50CST or less.

Ordering code

Ordering code of valves

2KL 150 15 A □ G					
① ② ③ ④ ⑤ ⑥					
① Model	② Orifice size	③ Port size	④ Voltage	⑤ Electrical entry	⑥ Thread type
2KL: 2/2 way internally piloted and normally opened	150: Φ15mm	15: 1/2"	A: AC220V B: DC24V C: AC110V E: AC24V F: DC12V	Blank: Terminal I: Grommet	G: G
	200: Φ20mm	20: 3/4"			
	250: Φ25mm	25: 1"			
	320: Φ35mm	32: 1 1/4"			
	400: Φ40mm	40: 1 1/2"			
500: Φ50mm	50: 2"				

Ordering code of accessories

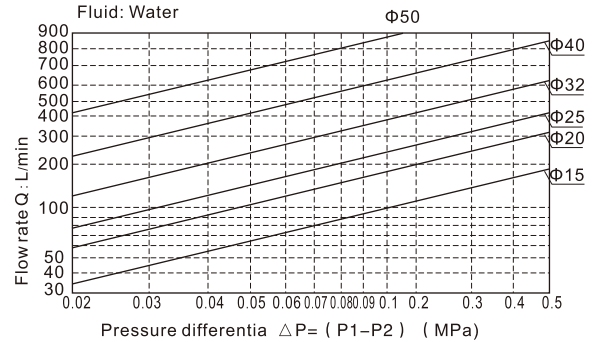
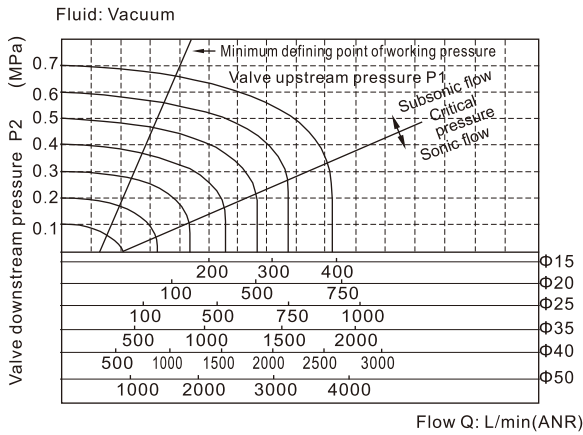
Ordering code of accessories is the same as 2S series valve's, Please refer to P150 for details of ordering code.

[Note] 320/400/500 series valves do not have mounting accessories.

Fluid control valve(2/2 way)

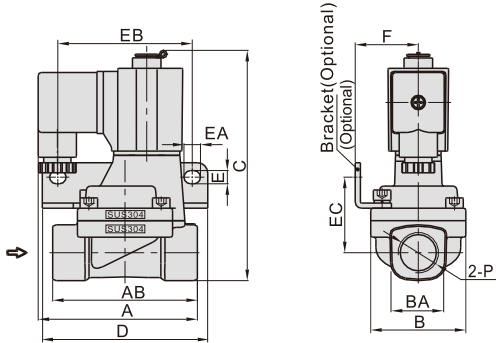
2KL Series (Internally piloted and normally opened)

Flow chart

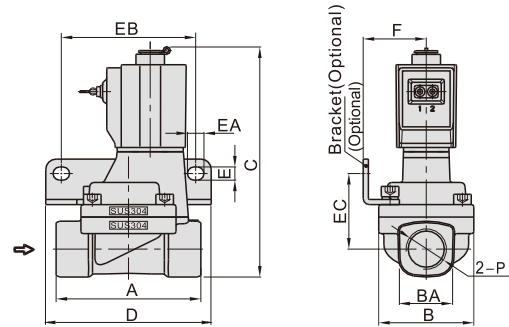


Dimensions

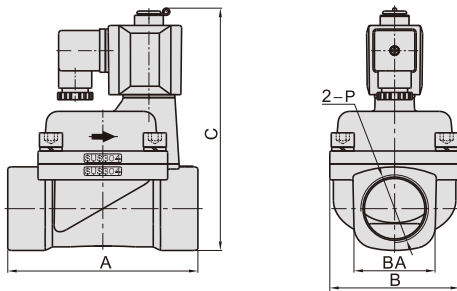
2KL150~250(Terminal)



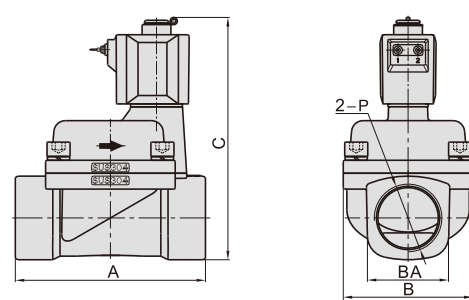
2KL150~250(Grommet)



2KL320~500(Terminal)



2KL320~500(Grommet)



Model\Item	A	AB	B	BA	C	D	E	EA	EB	EC	F	P
2KL150-15	77	70	46	27.5	112.5	80	6.4	8	65	36.5	30.5	1/2"
2KL200-20	78.5	82	53	33.5	121	90	6.4	8	75	40	34	3/4"
2KL250-25	81	92	59	40.5	129.5	95	6.4	8	80	44.5	36	1"
2KL320-32	125	-	80	52	160	-	-	-	-	-	-	1 1/4"
2KL400-40	132	-	90	58	167	-	-	-	-	-	-	1 1/2"
2KL500-50	150	-	100	70	182	-	-	-	-	-	-	2"

Model\Item	A	B	BA	C	D	E	EA	EB	EC	F	P
2KL150-15	70	46	27.5	112.5	80	6.4	8	65	36.5	30.5	1/2"
2KL200-20	82	53	33.5	121	90	6.4	8	75	40	34	3/4"
2KL250-25	92	59	40.5	129.5	95	6.4	8	80	44.5	36	1"
2KL320-32	125	80	52	160	-	-	-	-	-	-	1 1/4"
2KL400-40	132	90	58	167	-	-	-	-	-	-	1 1/2"
2KL500-50	150	100	70	182	-	-	-	-	-	-	2"