



Compendium of GA Series preparation unit

P182	Product feature	Photo	P184	Product feature	Photo
GAC Series F.R.L Unit	<ul style="list-style-type: none"> •The efficiency of eliminating moisture and solid grain is high. •Adjusting pressure steadily •The flow of miststart is low. Filling oil under pressure is possible. •200/300/400/600 Series •Port size: 1/8" 1/4" 3/8" 1/2" 3/4" 1" 		G AFC Series F.R.L Unit	<ul style="list-style-type: none"> •The efficiency of eliminating moisture and solid grain is high. •Adjusting pressure steadily •The flow of miststart is low. Filling oil under pressure is possible. •200/300/400/600 Series •Port size: 1/8" 1/4" 3/8" 1/2" 3/4" 1" 	
P186	Product feature	Photo	P188	Product feature	Photo
GAFR Series Filter-Regulator	<ul style="list-style-type: none"> •The efficiency of eliminating moisture and solid grain is high. •Adjusting pressure steadily •With fixing bracket •200/300/400/600 Series •Port size: 1/8" 1/4" 3/8" 1/2" 3/4" 1" 		GAF Series Filter	<ul style="list-style-type: none"> •Low pressure loss ,high efficiency in separating water •5µm and 40µm filtering grade(Optional) •Manual drain, semi-auto drain and automatic drain •With fixing bracket •200/300/400/600 Series •Port size: 1/8" 1/4" 3/8" 1/2" 3/4" 1" 	
P190	Product feature	Photo	P192	Product feature	Photo
GAR Series Regulator	<ul style="list-style-type: none"> •Adjusting pressure steadily •Faceplate fixing and bracket fixing is optional •Standard type, lower pressure type is optional •200/300/400/600 Series •Port size: 1/8" 1/4" 3/8" 1/2" 3/4" 1" 		GAL Series Lubricator	<ul style="list-style-type: none"> •The flow of miststart is low. Filling oil under pressure is possible. •With fixing bracket. •The adjustment of oil supply more reliable. •200/300/400/600 Series. •Port size: 1/8" 1/4" 3/8" 1/2" 3/4" 1" 	
P195	Product feature	Photo	P197	Product feature	Photo
GT Series preparation unit	<ul style="list-style-type: none"> •Short PC bowl type •GTC/GTFC/GTFR/GTF/GTL •Port size: 1/8" 1/4" 		GA Series Gas distribution block	<ul style="list-style-type: none"> •Be used with G series •The air flow can be divided by the device •200/300/400/600 Series •Port size: 1/8" 1/4" 3/8" 1/2" 3/4" 1" 	

Installation and application



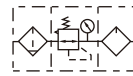
1. Check whether the components have been damaged during transportation before installing and using.
2. Pay attention to whether the flow direction of air (notice "→" direction) and thread type are correct.
3. Please notice whether installation condition accords with technical requirements (such as "working pressure" and "applied temperature range").
4. The medium used or installation environment shall be noticed. The matters with chlorine, carbon compound, aromatic compound and oxidizing acid and alkali shall be avoided to prevent the damage of bowl and oil bowl.
5. Regularly clean or change filter core. Lubricators and regulators shall be in descending order.
6. Keep dust away. The dust cover shall be installed in intake and outlet when the device is dismantled and stored.

Preparation unit——GA Series

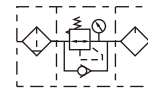
GAC Series F.R.L. combination

Symbol

No reflux valve is attached



Reflux valve is attached



Product feature

1. Oil dripping adopts gap seal structure, which makes the adjustment of oil supply more reliable.
2. Oil feed ring can only make one full turn. The quantity of oil supply, basically taking on linear distribution. The quantity of oil supply can be generally calculated according to the position of graduation ring.
3. Filling of oil while the lubricator is under pressure is made possible.
4. Special drip nozzle structure will produce negative pressure in oil dripping outlet and the mist flow is minimal.
5. Quick and reliable mounting clamps makes it convenient to install and use.
6. The performance of pressure adjustment is reliable with high precision.
7. The efficiency of eliminating moisture and solid grain is high.
8. Two drain types are available: manual drain+semi-auto drain and automatic drain.
9. Three bowl materials are available: PC, Metal and Nylon.

Specification

Model	GAC200-06	GAC200-08	GAC300-08	GAC300-10	GAC300-15	GAC400-10	GAC400-15	GAC600-20	GAC600-25	
Fluid	Air									
Port size [Note1]	1/8"	1/4"	1/4"	3/8"	1/2"	3/8"	1/2"	3/4"	1"	
Filtering grade	40 μm or 5 μm									
Pressure range	0.15~0.9MPa(20~130psi)									
Max. pressure	1.0MPa(145psi)									
Proof pressure	1.5MPa(215psi)									
Temperature range	-5~70°C(Unfreeze)									
Capacity of drain bowl	25CC		60CC			100CC		205CC		
Capacity of oil bowl	36CC		98CC			185CC		410CC		
Recommended lubricant	ISO VG 32 or equivalent									
Weight	750g		1300g			2390g		4600g		
Constitute	Filter	GAF200-06	GAF200-08	GAF300-08	GAF300-10	GAF300-15	GAF400-10	GAF400-15	GAF600-20	GAF600-25
	Regulator	GAR200-06	GAR200-08	GAR300-08	GAR300-10	GAR300-15	GAR400-10	GAR400-15	GAR600-20	GAR600-25
	Lubricator	GAL200-06	GAL200-08	GAL300-08	GAL300-10	GAL300-15	GAL400-10	GAL400-15	GAL600-20	GAL600-25

[Note1] G thread is available.

Ordering code

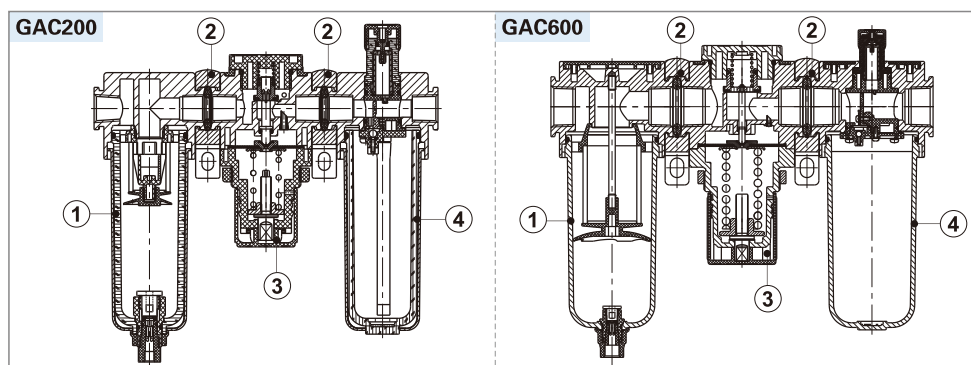
GAC300 □ 10 □ S □ W G K

① ② ③ ④ ⑤ ⑥ ⑦ ⑧ ⑨

① Model	② Bowl material	③ Port size	④ Drain type	⑤ Type code	⑥ Pressure gauge	⑦ Filtering grade	⑧ Thread type	⑨ Code of reflux valve
GAC200:GA200 Series F.R.L unit	Blank: PC bowl	06: 1/8" 08: 1/4"	Blank: Semi-auto drain +Manual drain A: Automatic drain	S: Standard L: Lower pressure [Note1]	Blank: Circular N: No gauge	Blank: 40μm W: 5μm	G: G (bar/MPa)	Blank: No reverse flow valve is attached K: Reverse flow valve is attached [Note2]
GAC300:GA300 Series F.R.L unit	C: Metal bowl	08: 1/4" 10: 3/8" 15: 1/2"						
GAC400:GA400 Series F.R.L unit	N: Nylon bowl	10: 3/8" 15: 1/2"						
GAC600:GA600 Series F.R.L unit	C: Metal bowl	20: 3/4" 25: 1"						

[Note1] The maximum work pressure of lower pressure type is 0.4MPa(58psi); [Note2] Please refer to page 194 for details of reflux valve.

Inner structure



No.	Item	No.	Item
1	GA series filter	3	GA series regulator
2	Bracket	4	GA series lubricator

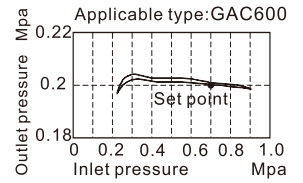
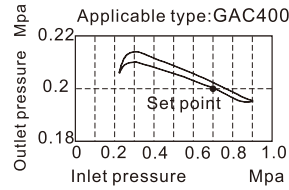
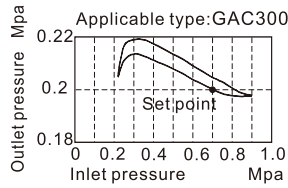
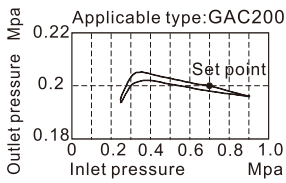


Preparation unit—GA Series

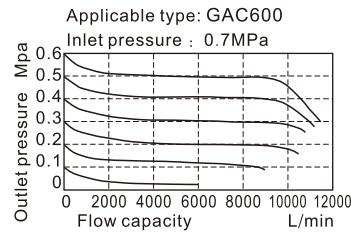
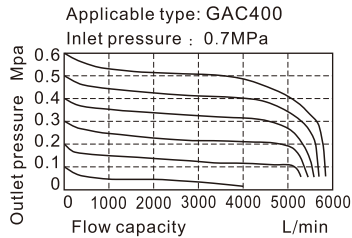
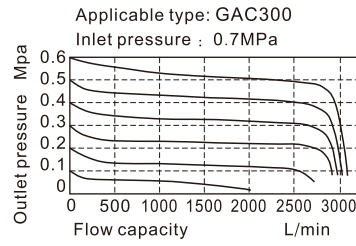
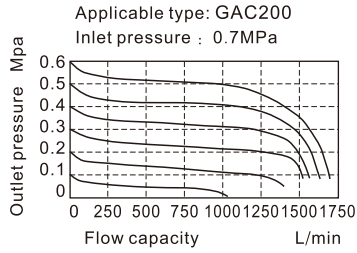


GAC Series F.R.L. combination

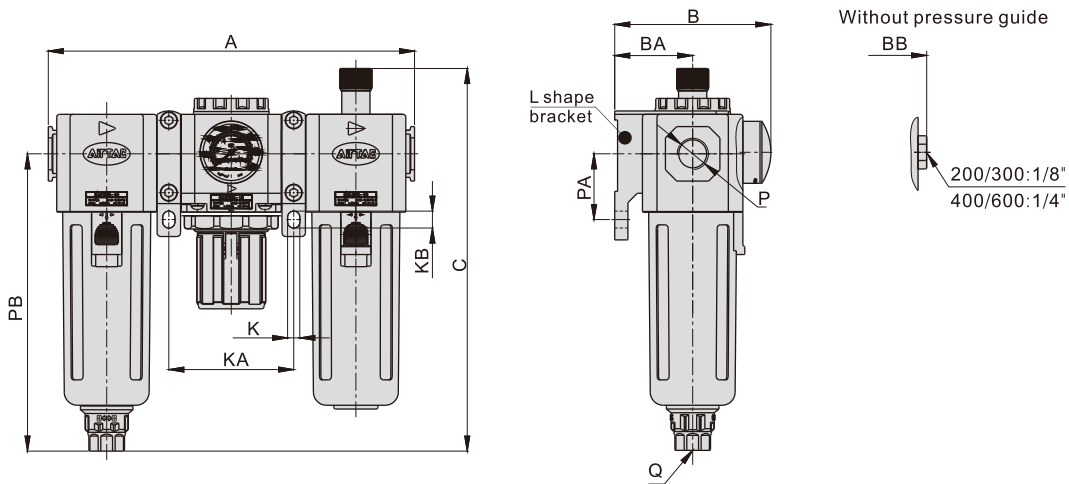
Pressure chart



Flow chart



Dimensions



Model\Item	A	B	BA	BB	C	K	KA	KB	P	PA	PB	Q
GAC200-06	163.5	69	30	55.5	160	5.5	55.5	8.5	1/8"	25	120	M5X0.8
GAC200-08	163.5	69	30	55.5	160	5.5	55.5	8.5	1/4"	25	120	M5X0.8
GAC300-08	195	83	41.5	72	203.5	6.5	66.5	9	1/4"	35	158	G1/4
GAC300-10	195	83	41.5	72	203.5	6.5	66.5	9	3/8"	35	158	G1/4
GAC300-15	195	83	41.5	72	203.5	6.5	66.5	9	1/2"	35	158	G1/4
GAC400-10	248	99	50	88	227	8.6	84	12	3/8"	40	177.5	G1/4
GAC400-15	248	99	50	88	227	8.6	84	12	1/2"	40	177.5	G1/4
GAC600-20	312	128	70	117	267.5	11	106	16	3/4"	50	205	G1/4
GAC600-25	312	128	70	117	267.5	11	106	16	1"	50	205	G1/4



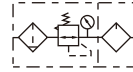
Preparation unit—GA Series

GAFC Series FR.L. combination

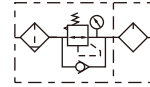


Symbol

No reflux valve is attached



Reflux valve is attached



Product feature

1. Quick and reliable mounting clamps makes it convenient to install and use.
2. The performance of pressure adjustment is reliable with high precision.
3. The efficiency of eliminating moisture and solid grain is high.
4. Two drain types are available: manual drain+semi-auto drain and automatic drain.
5. Three bowl materials are available: PC, Metal and Nylon.

Specification

Model	GAFC200-06	GAFC200-08	GAFC300-08	GAFC300-10	GAFC300-15	GAFC400-10	GAFC400-15	GAFC600-20	GAFC600-25	
Fluid	Air									
Port size [Note1]	1/8"	1/4"	1/4"	3/8"	1/2"	3/8"	1/2"	3/4"	1"	
Filtering grade	40 μm or 5 μm									
Pressure range	0.15~0.9MPa(20~130psi)									
Max. pressure	1.0MPa(145psi)									
Proof pressure	1.5MPa(215psi)									
Temperature range	-5~70°C(Unfreeze)									
Capacity of drain bowl	25CC			60CC			100CC		205CC	
Capacity of oil bowl	36CC			98CC			185CC		410CC	
Recommended lubricant	ISO VG 32 or equivalent									
Weight	590g			1020g			1810g		3430g	
Constitute	Filter & Regulator	GAFC200-06	GAFC200-08	GAFC300-08	GAFC300-10	GAFC300-15	GAFC400-10	GAFC400-15	GAFC600-20	GAFC600-25
	Lubricator	GAL200-06	GAL200-08	GAL300-08	GAL300-10	GAL300-15	GAL400-10	GAL400-15	GAL600-20	GAL600-25

[Note1] G thread is available.

Ordering code

GAFC300 □ 10 □ S □ W G K

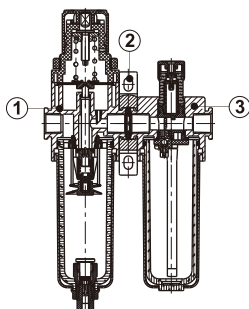
① ② ③ ④ ⑤ ⑥ ⑦ ⑧ ⑨

① Model	② Bowl material	③ Port size	④ Drain type	⑤ Type code	⑥ Pressure gauge	⑦ Filtering grade	⑧ Thread type	⑨ Code of reflux valve
GAFC200:GA200 Series FR.L unit	Blank: PC bowl	06: 1/8" 08: 1/4"	Blank: Semi-auto drain +Manual drain A: Automatic drain	S: Standard L: Lower pressure [Note1]	Blank: Circular N: No gauge	Blank: 40μm W: 5μm	G: G (bar/MPa)	Blank: No reverse flow valve is attached K: Reverse flow valve is attached [Note2]
GAFC300:GA300 Series FR.L unit	C: Metal bowl	08: 1/4" 10: 3/8" 15: 1/2"						
GAFC400:GA400 Series FR.L unit	N: Nylon bowl	10: 3/8" 15: 1/2"						
GAFC600:GA600 Series FR.L unit	C: Metal bowl	20: 3/4" 25: 1"						

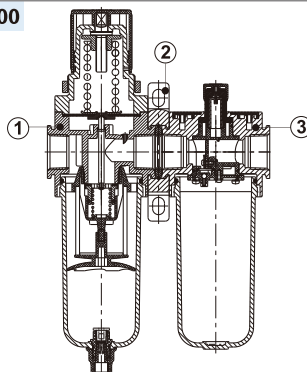
[Note1] The maximum work pressure of lower pressure type is 0.4MPa(58psi); [Note2] Please refer to page 194 for details of reflux valve.

Inner structure

GAFC200



GAFC600



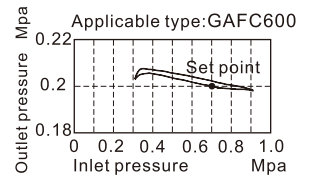
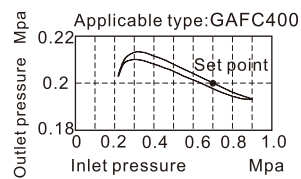
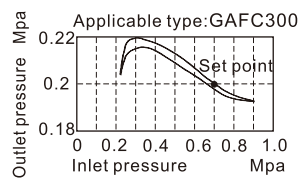
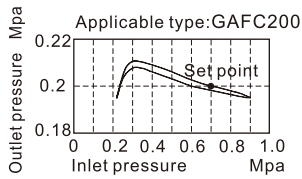
No.	Item
1	GA series filter & regulator
2	Bracket
3	GA series lubricator

Preparation unit—GA Series

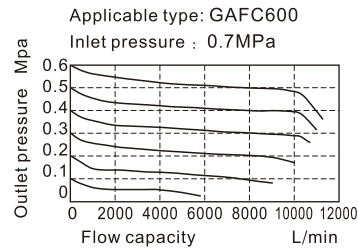
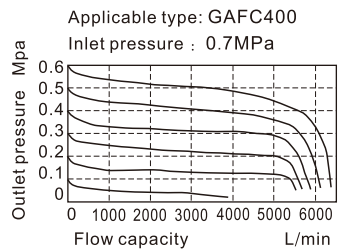
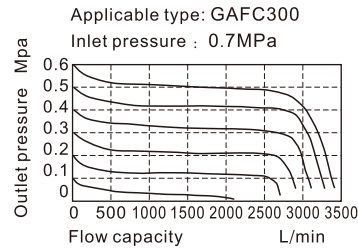
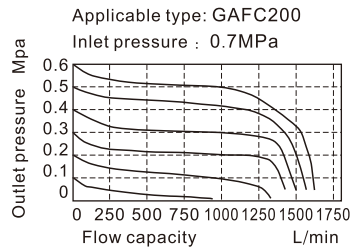


GAFC Series FR.L. combination

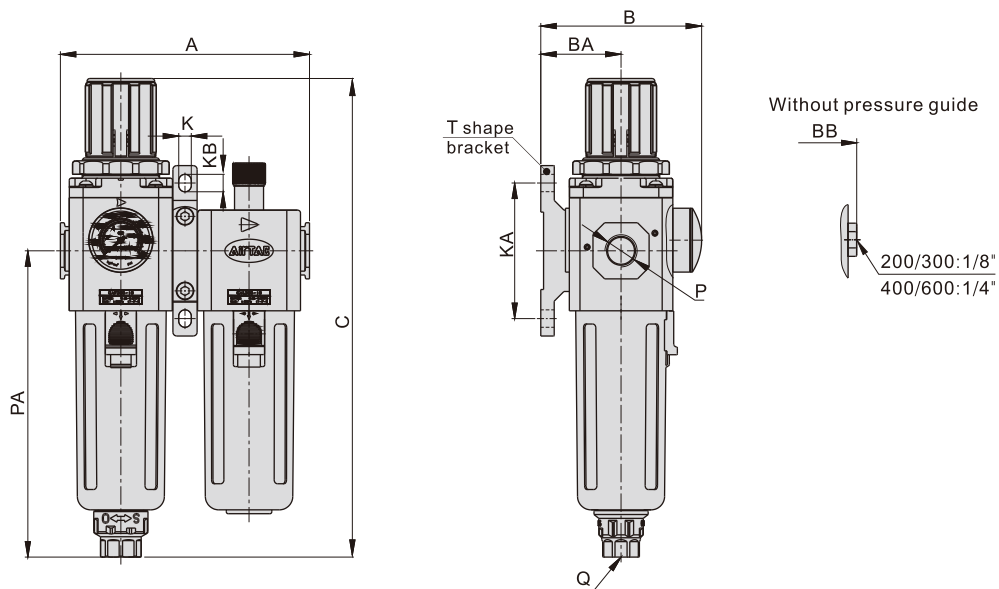
Pressure chart



Flow chart



Dimensions



Model\Item	A	B	BA	BB	C	K	KA	KB	P	PA	Q
GAFC200-06	107.5	69	30	55.5	192.5	5.5	50	8.5	1/8"	120	M5X0.8
GAFC200-08	107.5	69	30	55.5	192.5	5.5	50	8.5	1/4"	120	M5X0.8
GAFC300-08	128.5	83	41.5	72	247	6.5	70	9	1/4"	158	G1/4
GAFC300-10	128.5	83	41.5	72	247	6.5	70	9	3/8"	158	G1/4
GAFC300-15	128.5	83	41.5	72	247	6.5	70	9	1/2"	158	G1/4
GAFC400-10	164	99	50	88	285.5	8.6	80	12	3/8"	177.5	G1/4
GAFC400-15	164	99	50	88	285.5	8.6	80	12	1/2"	177.5	G1/4
GAFC600-20	206	128	70	117	336.5	11	100	16	3/4"	205	G1/4
GAFC600-25	206	128	70	117	336.5	11	100	16	1"	205	G1/4



Preparation unit—GA Series

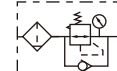
GAFR Series filter & regulator



Symbol

No reflux valve is attached

Reflux valve is attached



Product feature

1. Circular square pressure gauge which with clip and magnifier is used to save installation space.
2. The pressed-in self-locking mechanism can prevent the abnormal movement of the set pressure caused by external interfere.
3. Balanced design is adopted for the pressure adjustment mechanism.
4. Unique diversion structure spins the air flowing through to effectively separate the liquid from the air and reliably filter the solid grain.
5. The filtering grade includes 5 μm and 40 μm (optional).
6. Two drain types are available: semi-auto drain and automatic drain.
7. Three material of bowl are available: PC, Nylon and metal.
8. The bracket can be selected for installation.

Specification

Model	GAFR200-06	GAFR200-08	GAFR300-08	GAFR300-10	GAFR300-15	GAFR400-10	GAFR400-15	GAFR600-20	GAFR600-25
Fluid	Air								
Port size [Note1]	1/8"	1/4"	1/4"	3/8"	1/2"	3/8"	1/2"	3/4"	1"
Filtering grade	40 μm or 5 μm								
Pressure range	0.15~0.9MPa(20~130psi)								
Max. pressure	1.0MPa(145psi)								
Proof pressure	1.5MPa(215psi)								
Temperature range	-5~70°C(Unfreeze)								
Capacity of drain bowl	25CC		60CC			100CC		205CC	
Weight	290g		500g			880g		1880g	

[Note1] G thread is available.

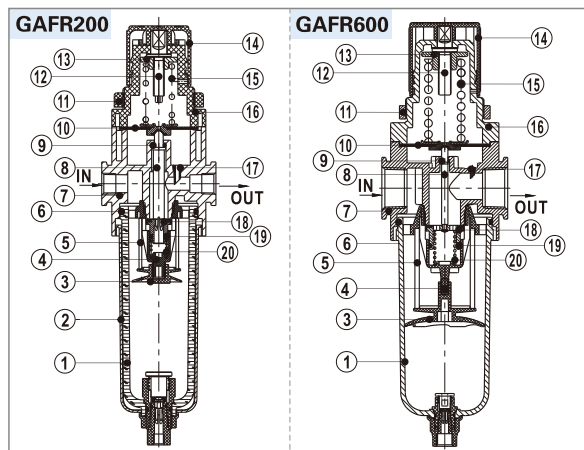
Ordering code

GAFR300 □ 10 □ S □ □ W G K
 ① ② ③ ④ ⑤ ⑥ ⑦ ⑧ ⑨ ⑩

① Model	② Bowl material	③ Port size	④ Drain type	⑤ Type code	⑥ Accessories	⑦ Pressure gauge	⑧ Filtering grade	⑨ Thread type	⑩ Code of reflux valve
GAFR200:GA200 Series Filter & regulator	Blank: PC bowl	06: 1/8" 08: 1/4"	Blank: Semi-auto drain +Manual drain A: Automatic drain	S: Standard L: Lower pressure [Note1]	Blank: Bracket J: No bracket	Blank: Circular N: No gauge	Blank: 40μm W: 5μm	G: G (bar/MPa)	Blank: No reverse flow valve is attached K: Reverse flow valve is attached [Note2]
GAFR300:GA300 Series Filter & regulator	C: Metal bowl	08: 1/4" 10: 3/8" 15: 1/2"							
GAFR400:GA400 Series Filter & regulator	N: Nylon bowl	10: 3/8" 15: 1/2"							
GAFR600:GA600 Series Filter & regulator	C: Metal bowl	20: 3/4" 25: 1"							

[Note1] The maximum work pressure of lower pressure type is 0.4MPa(58psi); [Note2] Please refer to page 194 for details of reflux valve.

Inner structure



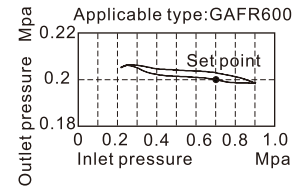
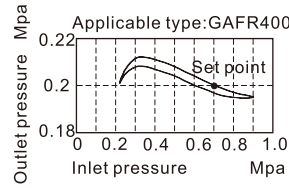
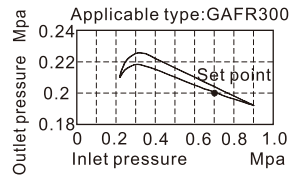
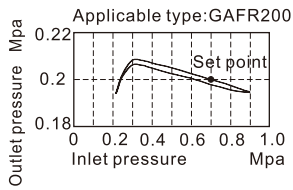
No.	Item	Material
1	Drain bowl	Aluminum alloy \ PC \ Nylon
2	Meter cover	SPCC
3	Umbrella baffle	High viscosity POM
4	Air guider	High viscosity POM
5	Filter core	HDPC
6	O-ring	NBR
7	Body of filter-regulator	Aluminum alloy
8	Adjusting spool	Brass(GAFR600)\POM(others)
9	O-ring	NBR
10	Diaphragm	NBR
11	Fixation ring cap	Aluminum alloy (GAFR600)\POM(others)
12	Adjusting spindle	Steel
13	Regulator nut	Steel
14	Pressure knob	POM
15	Spring	SWPB
16	Adjusting seat	Aluminum alloy (GAFR600)\POM(others)
17	Feedback tube	POM
18	Adjusting plug	Brass & Rubber
19	O-ring	NBR
20	Spring	SWPB



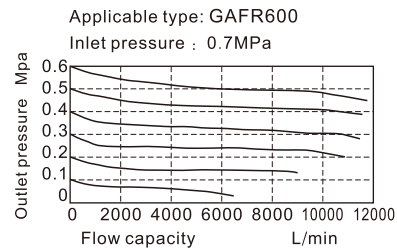
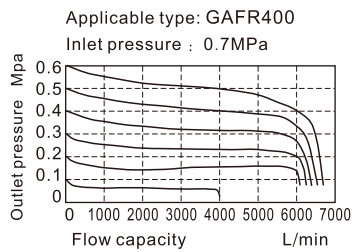
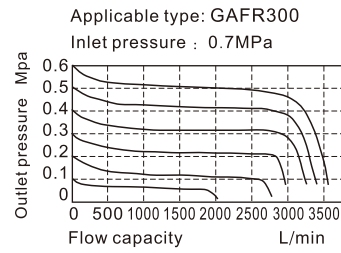
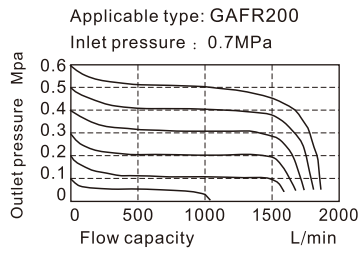
Preparation unit—GA Series

GAFR Series filter & regulator

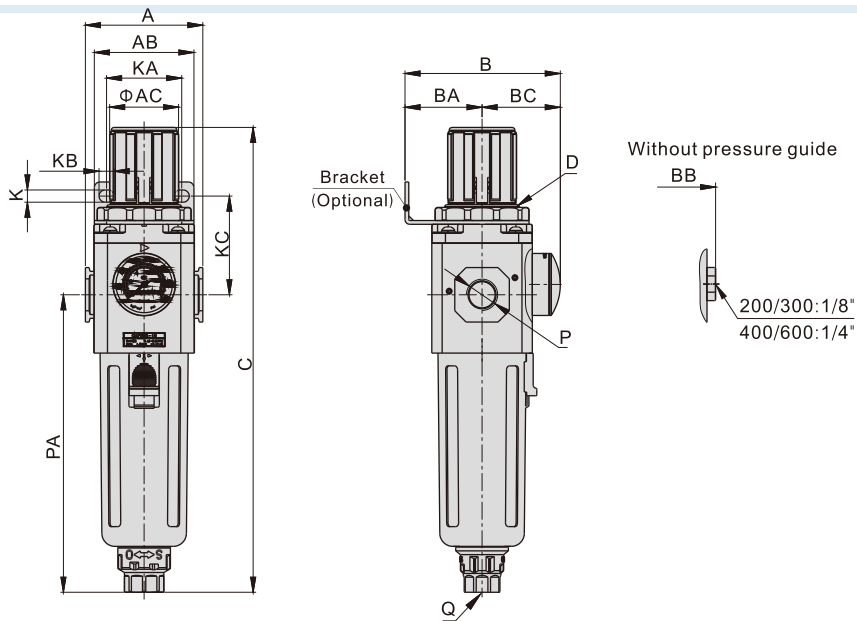
Pressure chart



Flow chart



Dimensions



Model/Item	A	AB	AC	B	BA	BB	BC	C	D	K	KA	KB	KC	P	PA	Q
GAFR200-06	52.5	55	31	69	30	55.5	39	192.5	M33x1.5	5.4	34	15.4	52	1/8"	120	M5X0.8
GAFR200-08	52.5	55	31	69	30	55.5	39	192.5	M33x1.5	5.4	34	15.4	52	1/4"	120	M5X0.8
GAFR300-08	62.5	53	38	82.5	41	72	41.5	247	M40x1.5	6.5	40	8	52.5	1/4"	158	G1/4
GAFR300-10	62.5	53	38	82.5	41	72	41.5	247	M40x1.5	6.5	40	8	52.5	3/8"	158	G1/4
GAFR300-15	62.5	53	38	82.5	41	72	41.5	247	M40x1.5	6.5	40	8	52.5	1/2"	158	G1/4
GAFR400-10	80	72	52	99	50	88	49	285.5	M55x2.0	8.5	55	11	57	3/8"	177.5	G1/4
GAFR400-15	80	72	52	99	50	88	49	285.5	M55x2.0	8.5	55	11	57	1/2"	177.5	G1/4
GAFR600-20	100	90	59	128	70	117	58	336.5	M62x1.5	11	66	13	76	3/4"	205	G1/4
GAFR600-20	100	90	59	128	70	117	58	336.5	M62x1.5	11	66	13	76	1"	205	G1/4

Preparation unit——GA Series

GAF Series Filter



Symbol



Product feature

1. Unique diversion structure spins the air flowing through to effectively separate the liquid from the air and reliably filter the solid grain.
2. It has low pressure loss, high efficiency in separating water and large drain bowl capacity.
3. Filtering grade includes 5 μ m and 40 μ m (Optional).
4. Three drain types are available: manual drain, semi-auto drain and automatic drain.
5. Two drain types are available: semi-auto drain and automatic drain.
6. Three material of bowl are available: PC, Nylon and metal.
7. The bracket can be selected for installation.

Specification

Model	GAF200-06	GAF200-08	GAF300-08	GAF300-10	GAF300-15	GAF400-10	GAF400-15	GAF600-20	GAF600-25
Fluid	Air								
Port size [Note1]	1/8"	1/4"	1/4"	3/8"	1/2"	3/8"	1/2"	3/4"	1"
Filtering grade	40 μ m or 5 μ m								
Pressure range	0.15~0.9MPa(20~130psi)								
Proof pressure	1.5MPa(215psi)								
Temperature range	-5~70°C(Unfreeze)								
Capacity of drain bowl	25CC		60CC			100CC		205CC	
Weight	200g		360g			640g		1040g	

[Note1] G thread is available.

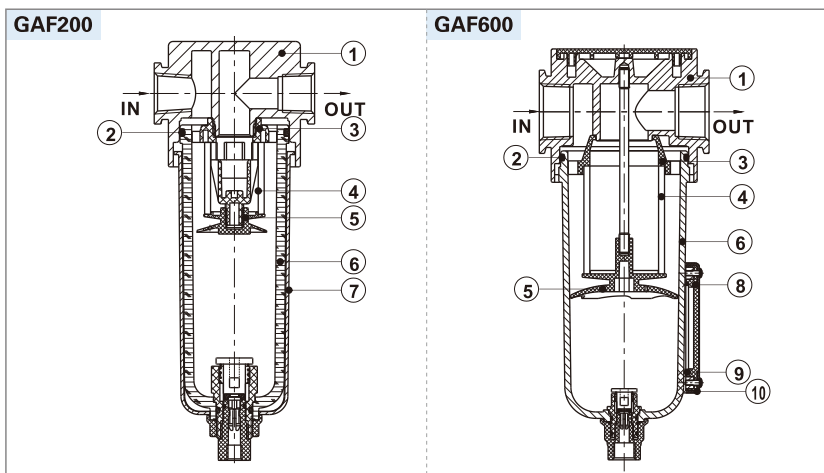
Ordering code

GAF 300 10 W G

① ② ③ ④ ⑤ ⑥ ⑦

① Model	② Bowl material	③ Port size	④ Drain type	⑤ Accessories	⑥ Filtering grade	⑦ Thread type
GAF200:GA200 Series Filter	Blank: PC bowl	06: 1/8" 08: 1/4"	Blank: Semi-auto drain +Manual drain A: Automatic drain	Blank: Bracket J: No bracket	Blank: 40 μ m W: 5 μ m	G: G
GAF300:GA300 Series Filter	C: Metal bowl	08: 1/4" 10: 3/8" 15: 1/2"				
GAF400:GA400 Series Filter	N: Nylon bowl	10: 3/8" 15: 1/2"				
GAF600:GA600 Series Filterlator	C: Metal bowl	20: 3/4" 25: 1"				

Inner structure

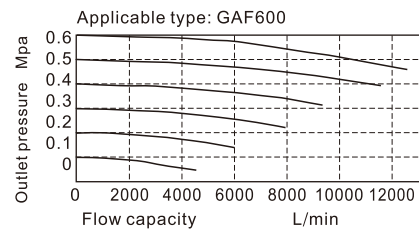
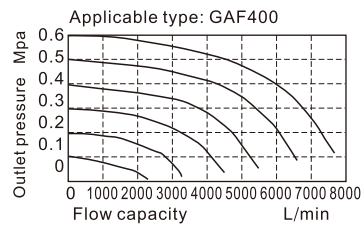
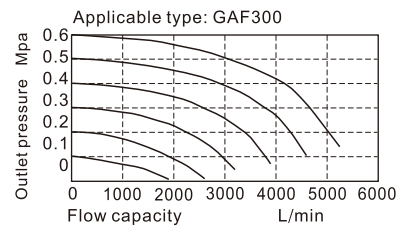
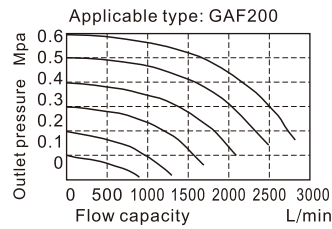


No.	Item	Material
1	Body	Aluminum alloy
2	O-ring	NBR
3	Air guide	High viscosity POM
4	Filter core	HDPE
5	Umbrella baffle	High viscosity POM
6	Drain bowl	Aluminum alloy\PC\Nylon
7	Meter cover	SPCC
8	Liquid meter inside cover	PC
9	Liquid meter seal	NBR
10	Liquid meter cover	SPCC

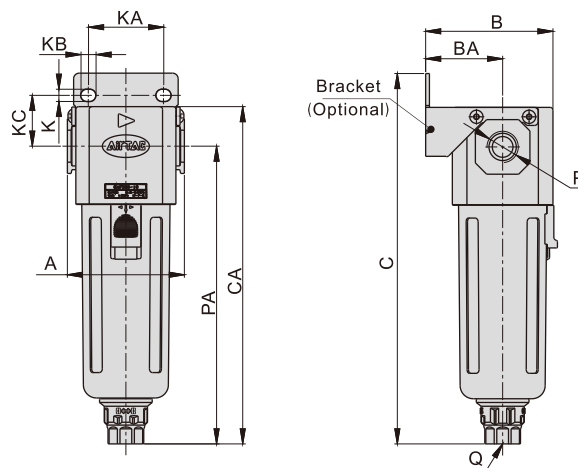
Preparation unit—GA Series

GAF Series Filter

Flow chart



Dimensions



Model\Item	A	B	BA	C	CA	K	KA	KB	KC	P	PA	Q
GAF200-06	52.5	54.5	33	150	137	5.4	27	8.4	23	1/8"	120	M5X0.8
GAF200-08	52.5	54.5	33	150	137	5.4	27	8.4	23	1/4"	120	M5X0.8
GAF300-08	62.5	67.5	41	197	179	6.5	40	8	27	1/4"	158	G1/4
GAF300-10	62.5	67.5	41	197	179	6.5	40	8	27	3/8"	158	G1/4
GAF300-15	62.5	67.5	41	197	179	6.5	40	8	27	1/2"	158	G1/4
GAF400-10	80	84	50	220	202.5	8.5	55	11	33.5	3/8"	177.5	G1/4
GAF400-15	80	84	50	220	202.5	8.5	55	11	33.5	1/2"	177.5	G1/4
GAF600-20	100	113	70	266	242	11	66	13	50	3/4"	205	G1/4
GAF600-25	100	113	70	266	242	11	66	13	50	1"	205	G1/4

Preparation unit——GA Series

GAR Series Regulator



Symbol

No reflux valve is attached



Reflux valve is attached



Product feature

1. Circular square pressure gauge which with clip and magnifier is used to save installation space.
2. The pressed-in self-locking mechanism can prevent the abnormal movement of the set pressure caused by external interfere.
3. Balanced design is adopted for the pressure adjustment mechanism.
4. In addition to panel installation, the bracket is optional for installation.

Specification

Model	GAR200-06	GAR200-08	GAR300-08	GAR300-10	GAR300-15	GAR400-10	GAR400-15	GAR600-20	GAR600-25
Fluid	Air								
Port size [Note1]	1/8"	1/4"	1/4"	3/8"	1/2"	3/8"	1/2"	3/4"	1"
Pressure range	0.05~0.9MPa(7~130psi)								
Max. pressure	1.0MPa(145psi)								
Proof pressure	1.5MPa(215psi)								
Temperature range	-20~70°C								
Weight	170g		300g			570g		1390g	

[Note1] G thread is available.

Ordering code

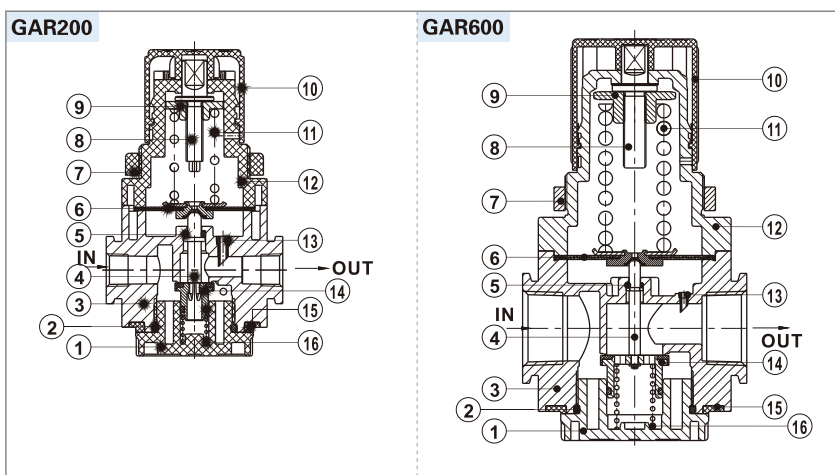
GAR300 10 S □ □ G K

① ② ③ ④ ⑤ ⑥ ⑦

① Model	② Port size	③ Type code	④ Accessories	⑤ Pressure gauge	⑥ Thread type	⑦ Code of reflux valve
GAR200:GA200 Series regulator	06: 1/8" 08: 1/4"	S: Standard L: Lower pressure [Note1]	Blank: Bracket J: No bracket	Blank: Circular N: No gauge	G: G (bar/MPa)	Blank: No reverse flow valve is attached K: Reverse flow valve is attached [Note2]
GAR300:GA300 Series regulator	08: 1/4" 10: 3/8" 15: 1/2"					
GAR400:GA400 Series regulator	10: 3/8" 15: 1/2"					
GAR600:GA600 Series regulator	20: 3/4" 25: 1"					

[Note1] The maximum work pressure of lower pressure type is 0.4MPa(58psi); [Note2] Please refer to page 194 for details of reflux valve.

Inner structure

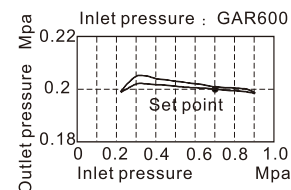
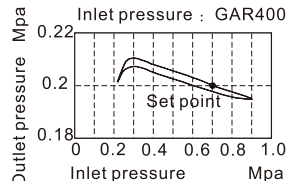
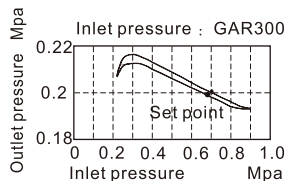
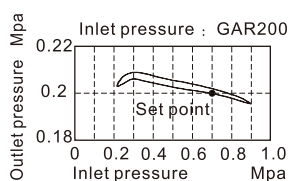


No.	Item	Material
1	Valve cap	Aluminum alloy(GR600)\POM(others)
2	O-ring	NBR
3	Body	Aluminum alloy
4	Spool	Brass(GR600)\POM(others)
5	O-ring	NBR
6	Diaphragm	NBR
7	Fixed ring	Aluminum alloy (GR600)\POM(others)
8	Adjusting spindle	Steel
9	Regulator nut	Steel
10	Pressure knob	POM
11	Pressure spring	SWPB
12	Adjusting seat	Aluminum alloy (GR600)\POM(others)
13	Feed back tube	POM
14	Pressure plug	Aluminum alloy & steel
15	Bottom cover	POM
16	Spring	SWPB

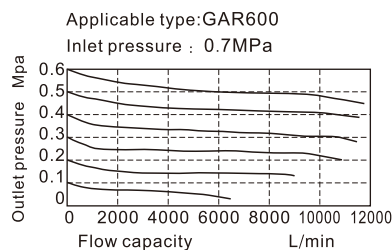
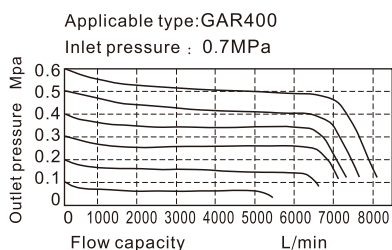
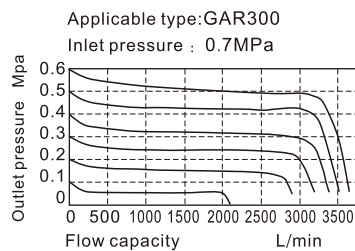
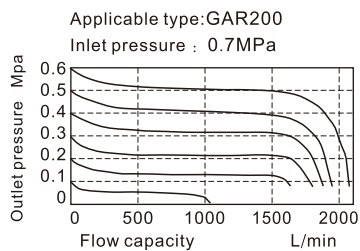
Preparation unit—GA Series

GAR Series Regulator

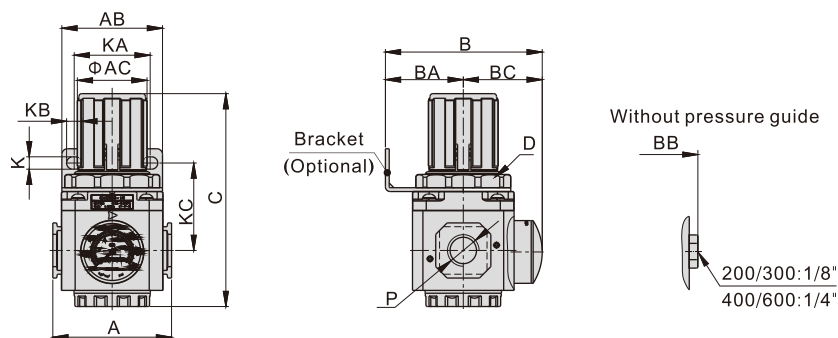
Pressure chart



Flow chart



Dimensions



Model\Item	A	AB	AC	B	BA	BB	BC	C	D	K	KA	KB	KC	P
GAR200-06	52.5	55	31	69	30	55.5	39	91	M33x1.5	5.4	34	15.4	45	1/8"
GAR200-08	52.5	55	31	69	30	55.5	39	91	M33x1.5	5.4	34	15.4	45	1/4"
GAR300-08	62.5	53	38	82.5	41	72	41.5	112	M40x1.5	6.5	40	8	46	1/4"
GAR300-10	62.5	53	38	82.5	41	72	41.5	112	M40x1.5	6.5	40	8	46	3/8"
GAR300-15	62.5	53	38	82.5	41	72	41.5	112	M40x1.5	6.5	40	8	46	1/2"
GAR400-10	80	72	52	99	50	88	49	140.5	M55x2.0	8.5	55	11	53	3/8"
GAR400-15	80	72	52	99	50	88	49	140.5	M55x2.0	8.5	55	11	53	1/2"
GAR600-20	100	90	59	128	70	117	58	179.5	M62x1.5	11	66	13	73.5	3/4"
GAR600-25	100	90	59	128	70	117	58	179.5	M62x1.5	11	66	13	73.5	1"

Preparation unit——GA Series

GAL Series Lubricator



Symbol



Product feature

1. The structure of oil dripping adopts gap seal type, which makes the adjustment of oil supply more reliable.
2. Oil feed ring can only make one full turn. The quantity of oil supply basically takes on linear distribution. The quantity of oil supply can be generally calculated according to the position of graduation ring.
3. Special drip nozzle structure will produce negative pressure in oil dripping outlet and the mist flow is minimal.
4. Three material of bowl are available: PC, Nylon and metal.
5. Filling of oil while the lubricator is under pressure is made possible, and the oil bowl is large.
6. The bracket can be selected for installation.

Specification

Model	GAL200-06	GAL200-08	GAL300-08	GAL300-10	GAL300-15	GAL400-10	GAL400-15	GAL600-20	GAL600-25
Fluid	Air								
Port size [Note1]	1/8"	1/4"	1/4"	3/8"	1/2"	3/8"	1/2"	3/4"	1"
Pressure range	0.05~0.9MPa(7~130psi)								
Proof pressure	1.5MPa(215psi)								
Temperature range	-5~70°C(Unfreeze)								
Recommended lubricant	ISO VG 32 or equivalent								
Capacity of oil bowl	36CC		98CC			185CC		410CC	
Weight	200g		370g			660g		1040g	

[Note1] G thread is available.

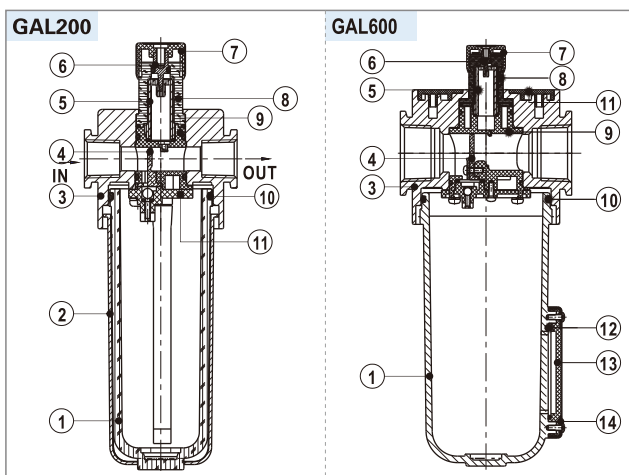
Ordering code

GAL300 □ 10 □ G

① ② ③ ④ ⑤

① Model	② Bowl material	③ Port size	④ Accessories	⑤ Thread type
GAL200: GA200 Lubricator	Blank: PC bowl	06: 1/8" 08: 1/4"	Blank: Bracket J: No bracket	G: G
GAL300: GA300 Lubricator	C: Metal bowl	08: 1/4" 10: 3/8" 15: 1/2"		
GAL400: GA400 Lubricator	N: Nylon bowl	10: 3/8" 15: 1/2"		
GAL600: GA600 Lubricator	C: Metal bowl	20: 3/4" 25: 1"		

Inner structure

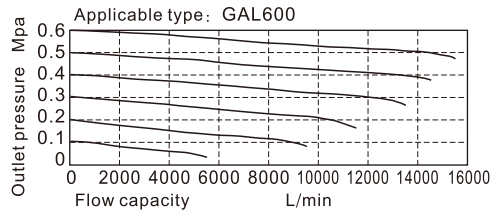
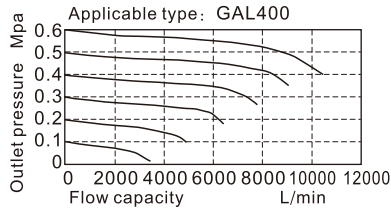
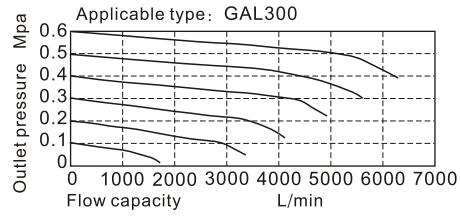
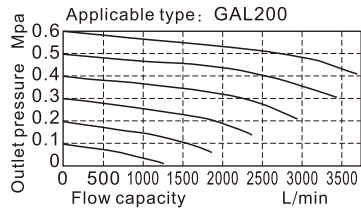


No.	Item	Material
1	Oil bowl	Aluminum alloy\PC\Nylon
2	Meter cover	SPCC
3	Body of lubricator	Aluminum alloy
4	Distance block	PU
5	O-ring	NBR
6	Drip pipe	PC
7	Ejector pin	Brass
8	Adjusting ring	POM
9	O-ring	NBR
10	Adjusting looker	PC
11	Sprayer body	PA66
12	O-ring	NBR
13	Sprayer bottom cap	POM
14	Oil tube	PU
15	Filter pluger	Brass
16	Pluger	Carbon steel
17	Buttom	POM
18	Liquid meter seal	NBR
19	Liquid meter inside cover	PC
20	Liquid meter cover	SPCC

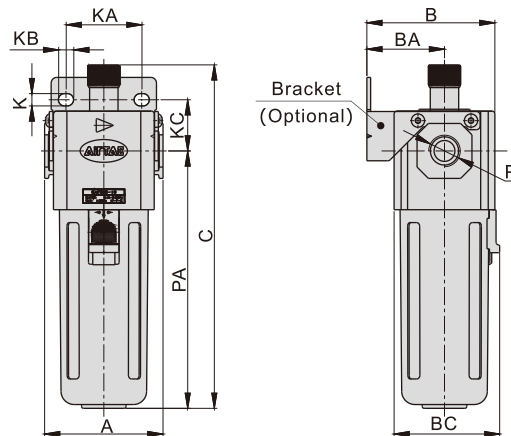
Preparation unit—GA Series

GAL Series Lubricator

Flow chart

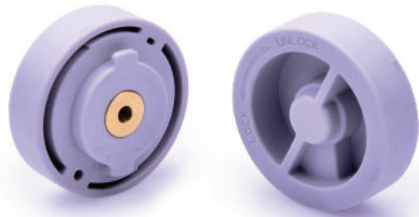


Dimensions



Model/Item	A	B	BA	C	K	KA	KB	KC	P	PA
GAL200-06	52.5	54.5	33	146.5	5.4	27	8.4	23	1/8"	107
GAL200-08	52.5	54.5	33	146.5	5.4	27	8.4	23	1/4"	107
GAL300-08	62.5	67.5	41	181	6.5	40	8	27	1/4"	136
GAL300-10	62.5	67.5	41	181	6.5	40	8	27	3/8"	136
GAL300-15	62.5	67.5	41	181	6.5	40	8	27	1/2"	136
GAL400-10	80	84	50	204.5	8.5	55	11	33.5	3/8"	155
GAL400-15	80	84	50	204.5	8.5	55	11	33.5	1/2"	155
GAL600-20	100	113	70	246	11	66	13	50	3/4"	182.5
GAL600-25	100	113	70	246	11	66	13	50	1"	182.5

GA Series Reverse Flow valve



Product feature

1. This reverse flow valve can be used with GA series regulator but can not be ordered individually.
2. When it is used with GA series regulator, one only needs to change the seal board in the back of regulator for the reverse flow valve. It is convenient to install and won't change the external dimension of regulator.

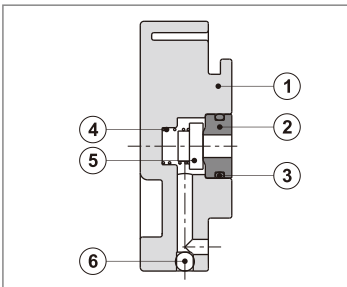
Applicable products

Reflux valve type\Applicable products's type	GA F.R.L Comtination	GA FR.L Comtination	GA Filter & regulator	GA Regulator
GAR200-P1	GAC200	GAFC200	GAFR200	GAR200
GAR300-P1	GAC300、400、600	GAFC300、400、600	GAFR300、400、600	GAR300、400、600

Ordering code

When GA series regulator is assembled with the reverse flow valve, the valve can be ordered together with the standard product. What needs to do is to add "-K" to the end of the ordering code of the standard product. Please refer to relevant content for more detailed order method.

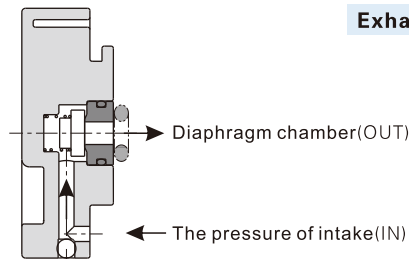
Inner structure



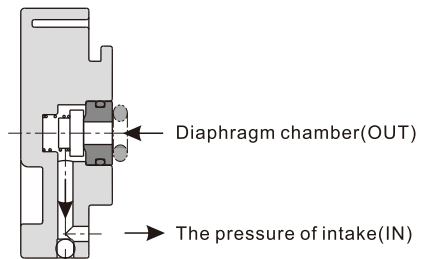
No.	Item	Material
1	Reverse flow valve's body	PBT
2	Plug	Brass
3	O-ring	NBR
4	Spring	SUS304
5	Gasket	NBR
6	Steel ball	SUS304

Working principle

Normally



Exhaust



Normally, as the pressure of intake (IN) is higher than the set valve (pressure of outlet), the reverse flow valve closed; if the pressure of intake (IN) is cut off and starts exhaust, reverse flow valve opens. The pressure of diaphragm chamber is exhausted from IN orifice. At this moment, the pressure of diaphragm chamber decreases and the diaphragm is pressed down by the force from adjusting spring to open valve. The pressure from outlet is exhausted from IN port.

Example for assemble the reflux valve

Take GAR300 for example, it is in the same way to use products of other series.

Take out the back seal board of pressure gauge of GAR300 product and press reverse flow valve GAR300 into the position where original seal board stays upon the direction that is showed and then tighten the connection screw.

