

Preparation unit—G Series

GPF Series Oil mist filter



Specification

Model	GPF20006	GPF20008	GPF30008	GPF30010	GPF40010	GPF40015
Fluid	Air					
Port size [Note1]	1/8"	1/4"	1/4"	3/8"	3/8"	1/2"
Filtering grade	M: 0.3 μm (Capture efficiency 99.9%)					
	D: 0.01 μm (Capture efficiency 99.9%)					
Pressure range	0.15~1.0MPa(20~145psi)					
Proof pressure	1.5MPa(215psi)					
Temperature range	-5~70°C(Unfreeze)					
Bowl Material	Polycarbonate, Nylon, Metal					
Capacity of drain bowl	19CC		54.5CC		89CC	
Weight	PC bowl		356g		620g	
	Metallic bowl		397g		627g	

[Note1] G thread is available.

Symbol



Product feature

1. Low pressure drop, high oil mist remove efficiency up to 99% and large drain bowl.
2. 0.3 μm and 0.01 μm filtering grade are available.
3. Two drain types are available: manual and semi-auto drain, and automatic drain.
4. To meet the needs of different environment the bowl material has Poly Carbonate, nylon and metal can be selected.
5. Monomeric products can select the bracket for installation, others can be used with F.R.L Combination.

Ordering code

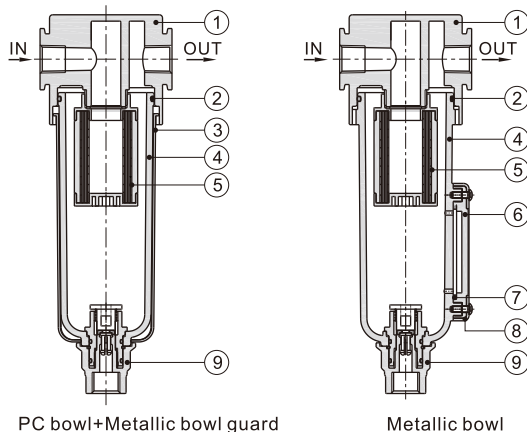
GPF300 08 M G

① ② ③ ④ ⑤ ⑥ ⑦

① Model	② Bowl Material	③ Port size	④ Drain type	⑤ Accessories	⑥ Filtering grade	⑦ Thread type
GPF200: 200 Series Oil mist filter	Blank: PC bowl+Metallic bowl guard	06: 1/8" 08: 1/4"	Blank: Manual and Semi-auto drain A: Automatic drain	Blank: Bracket J: No bracket	M: 0.3 μm D: 0.01 μm	G: G
GPF300: 300 Series Oil mist filter	C: Metallic bowl N: Nylon bowl+Metallic bowl guard	08: 1/4" 10: 3/8"				
GPF400: 400 Series Oil mist filter		10: 3/8" 15: 1/2"				

Inner structure

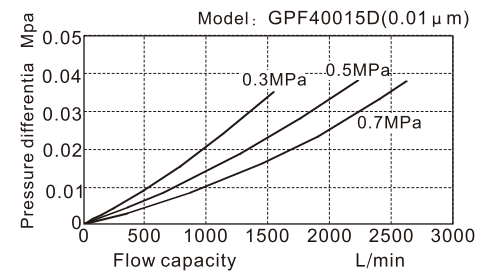
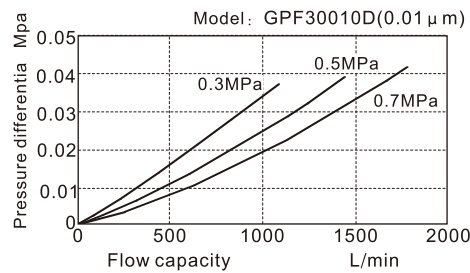
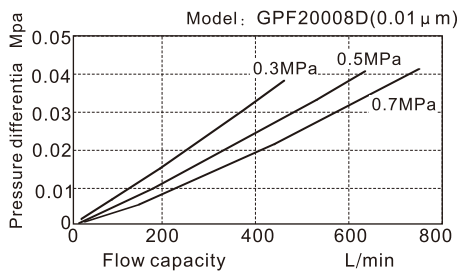
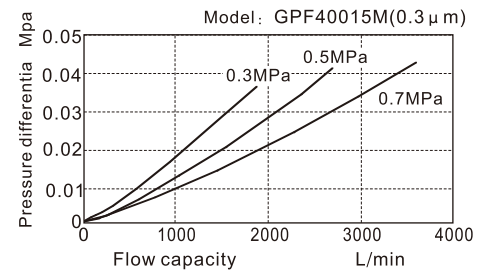
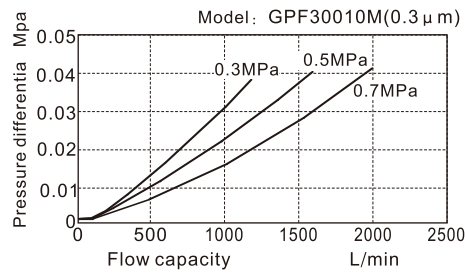
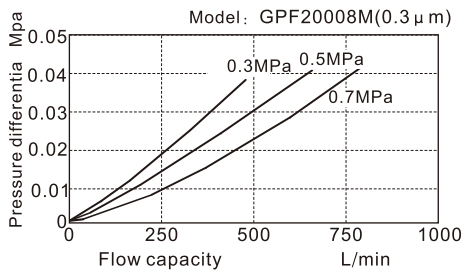
GPF300



No.	Item	Material
1	Body	Aluminium alloy
2	O-ring	NBR
3	Meter cover	SPCC
4	Drain bowl	PC\nylon\aluminium alloy
5	Filter core	Polymer materials
6	Liquid meter cover	PC
7	Liquid meter seal	NBR
8	Liquid meter inside cover	SPCC
9	Drain connection	Plastic

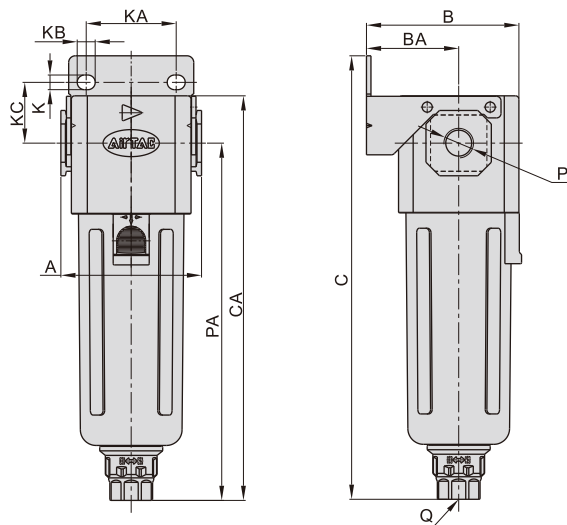
GPF Series Oil mist filter

Flow chart

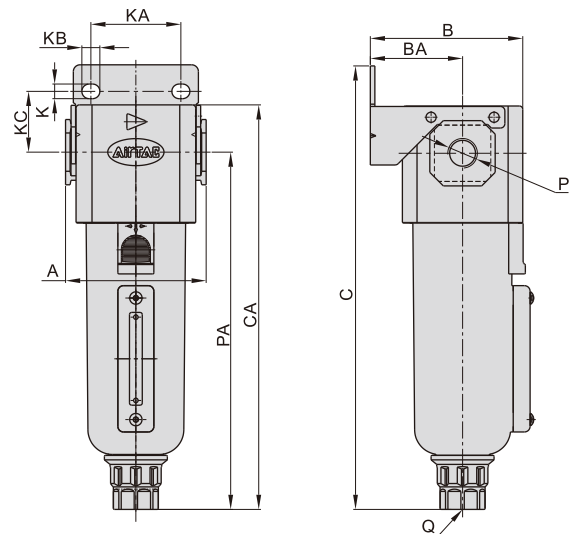


Dimensions

PC bowl+Metallic bowl guard



Metallic bowl



Model\Item	A	B	BA	C	CA	K	KA	KB	KC	P	PA	Q
GPF200(C/N)06	52.5	54.5	33	150	137	5.4	27	8.4	23	1/8"	120	M5X0.8
GPF200(C/N)08	52.5	54.5	33	150	137	5.4	27	8.4	23	1/4"	120	M5X0.8
GPF300(C/N)08	62.5	67.8	41	197	179	6.5	40	8	27	1/4"	158	G1/4
GPF300(C/N)10	62.5	67.8	41	197	179	6.5	40	8	27	3/8"	158	G1/4
GPF400(C/N)10	80	84	50	220	202.5	8.5	55	11	33.5	3/8"	177.5	G1/4
GPF400(C/N)15	80	84	50	220	202.5	8.5	55	11	33.5	1/2"	177.5	G1/4

Preparation unit—G Series

GPR Series Precision Regulator



Specification

Model	GPR20006	GPR30008	GPR40008	GPR40010	GPR40015
Fluid	Air				
Port size [Note1]	1/8"	1/4"	1/4"	3/8"	1/2"
Max. supply pressure	1.0MPa(145psi)				
Operating pressure	Lower pressure	0.005~0.2MPa(0.73~29psi)		0.01~0.2MPa(1.45~29psi)	
	Medium pressure	0.01~0.4MPa(1.45~58psi)			
	High pressure	0.01~0.8MPa(1.45~116psi)			
Sensitivity	Within 0.2%F.S.				
Repeatability	Within ±0.5%F.S.				
Air consumption (ANR)	≤4L/min	≤4L/min	≤9.5L/min		≤11.5L/min
Temperature range	-20~70°C(Unfreeze)				
Weight	144g	336g	717g		

[Note1] G thread is available.

Symbol



Product feature

1. High pressure regulating accuracy and rapid-response.
2. Good pressure and flow chart.
3. Easy installation, it can be installed independently by bracket or directly with existing filter combination components of module type.
4. In addition to high pressure type, the type of medium pressure and lower pressure can be selected.

Ordering code

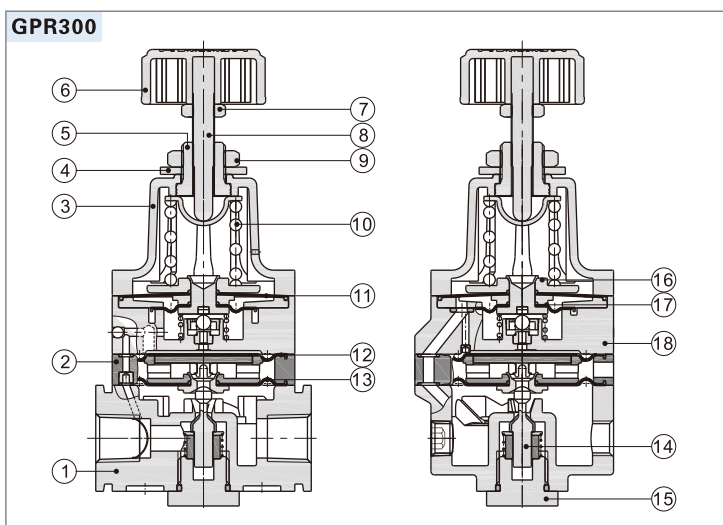
GPR300 08 H □ □ G

① ② ③ ④ ⑤ ⑥

① Model	② Port size	③ Regulating pressure range	④ Accessories	⑤ Pressure gauge	⑥ Thread type [Note1]
GPR200: 00 Series Precision Regulator	06: 1/8"	L: 0.005~0.2MPa(0.73~29psi) M: 0.01~0.4MPa(1.45~58psi)	Blank: Bracket J: No bracket	Blank: With pressure gauge N: Without pressure gauge	G: G(Scale:MPa&bar)
GPR300: 300 Series Precision Regulator	08: 1/4"	H: 0.01~0.8MPa(1.45~116psi)			
GPR400: 400 Series Precision Regulator	08: 1/4" 10: 3/8" 15: 1/2"	L: 0.01~0.2MPa(1.45~29psi) M: 0.01~0.4MPa(1.45~58psi) H: 0.01~0.8MPa(1.45~116psi)			

[Note1] Please consult us for special correspondence.

Inner structure

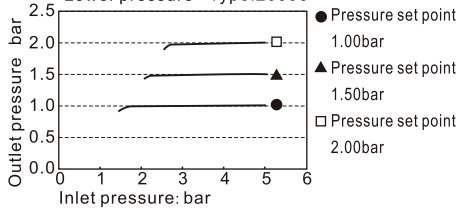


No.	Item	Material
1	Regulator body	Aluminum alloy
2	Pilot body	Plastic
3	Regulator seat	Aluminum alloy
4	Bracket gasket	SPCC
5	Adjusting nut	Carbon steel
6	Regulator knob	Plastic
7	Nut	Carbon steel
8	Regulator spindle	Carbon steel
9	Nut	Carbon steel
10	Spring	Spring steel
11	Pilot upper diaphragm	NBR
12	Regulator upper diaphragm	NBR
13	Regulator lower diaphragm	NBR
14	Main valve	Stainless steel+NBR
15	Bonnet	Carbon steel
16	Pilot diaphragm upper hard core	Aluminum alloy
17	Pilot lower diaphragm	NBR
18	Nozzle body	Aluminum alloy

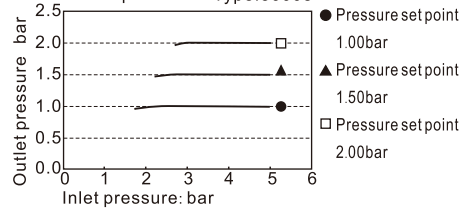
GPR Series Precision Regulator

Pressure chart

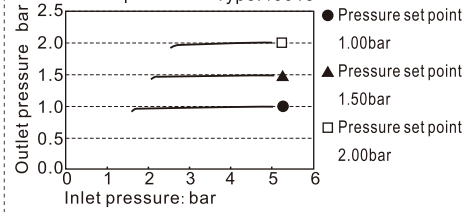
Lower pressure Type:20006



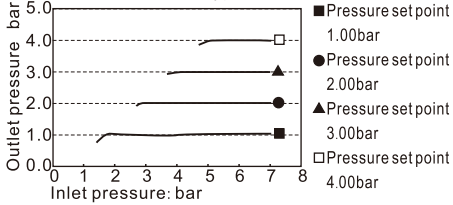
Lower pressure Type:30008



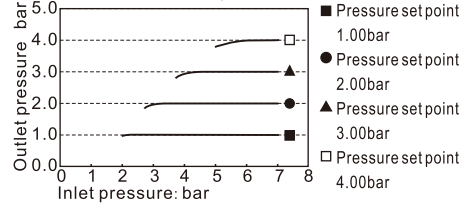
Lower pressure Type:40015



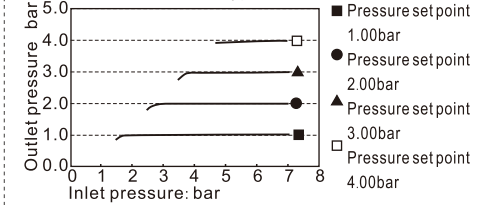
Medium pressure Type:20006



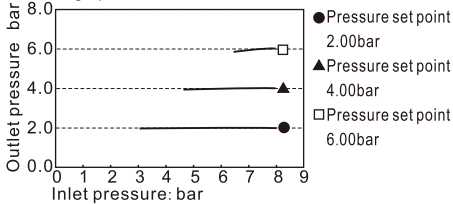
Medium pressure Type:30008



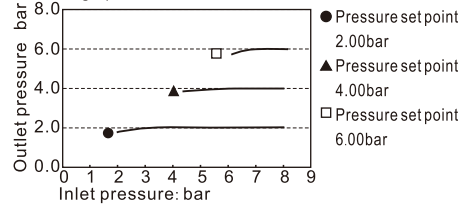
Medium pressure Type:40015



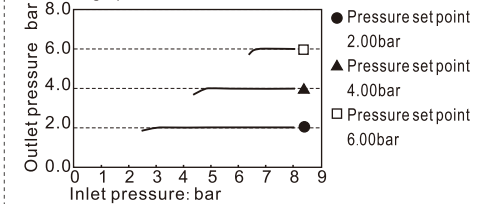
High pressure Type:20006



High pressure Type:30008



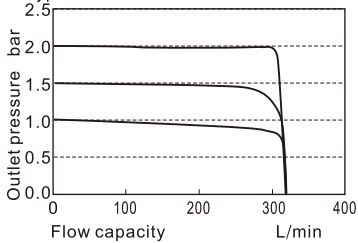
High pressure Type:40015



Flow chart

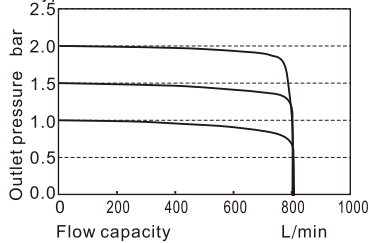
Lower pressure

Type: 20006



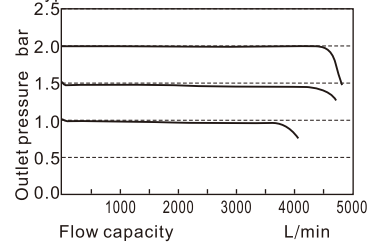
Lower pressure

Type: 30008



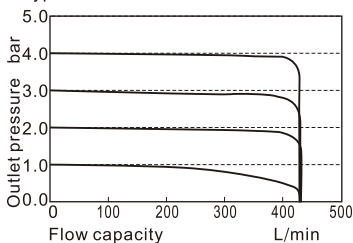
Lower pressure

Type: 40015



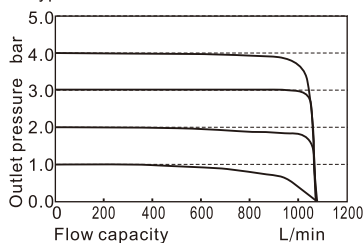
Medium pressure

Type: 0006



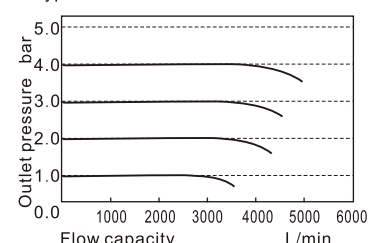
Medium pressure

Type: 30008



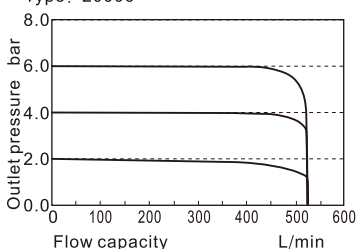
Medium pressure

Type: 40015



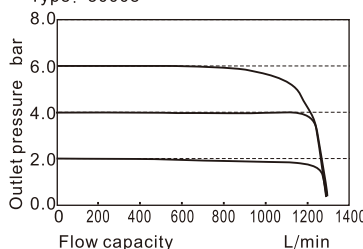
High pressure

Type: 20006



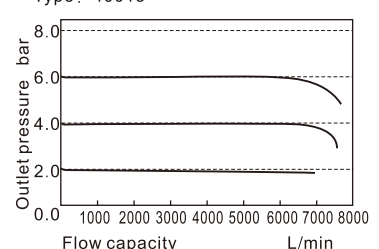
High pressure

Type: 30008



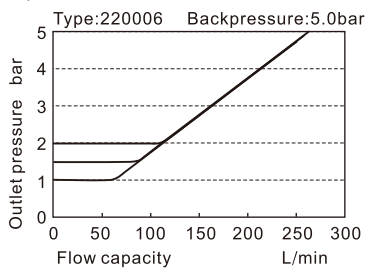
High pressure

Type: 40015

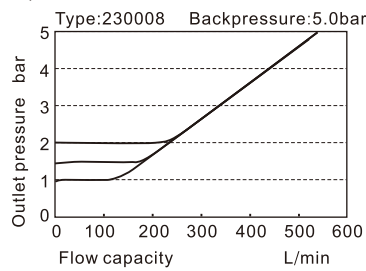


Overflow chart

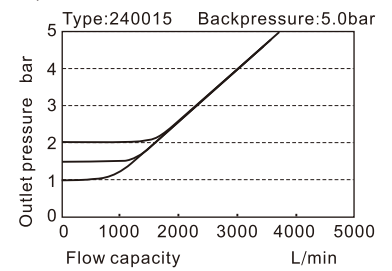
Lower pressure



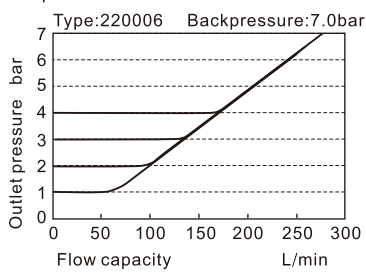
Lower pressure



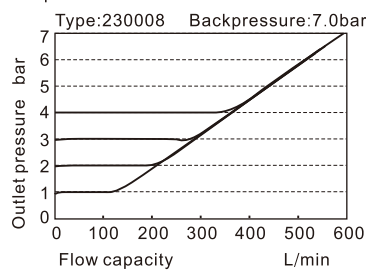
Lower pressure



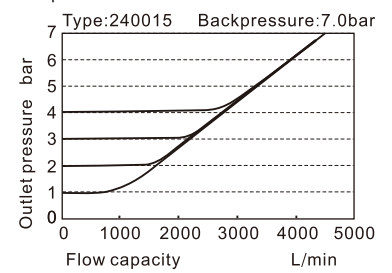
Medium pressure



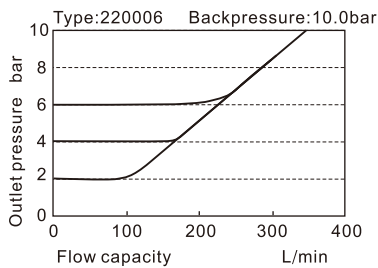
Medium pressure



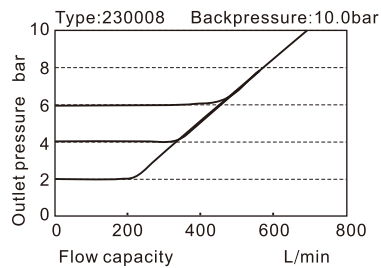
Medium pressure



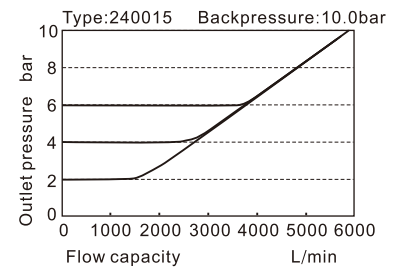
High pressure



High pressure



High pressure

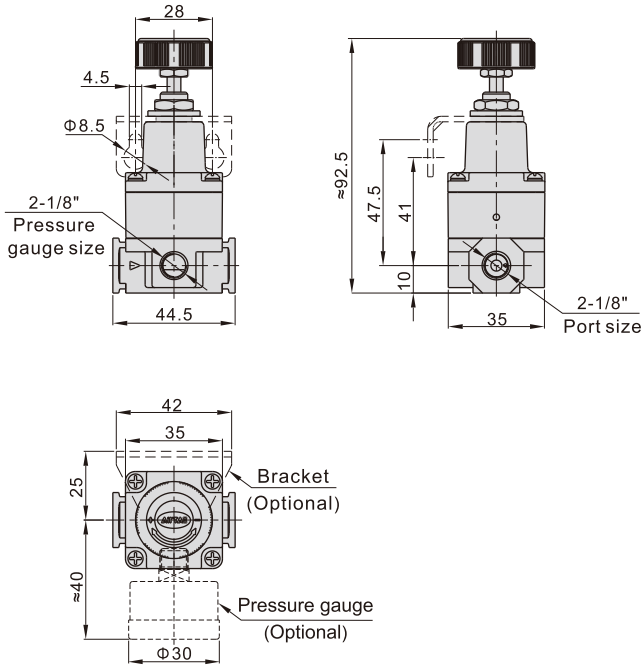


Preparation unit—G Series

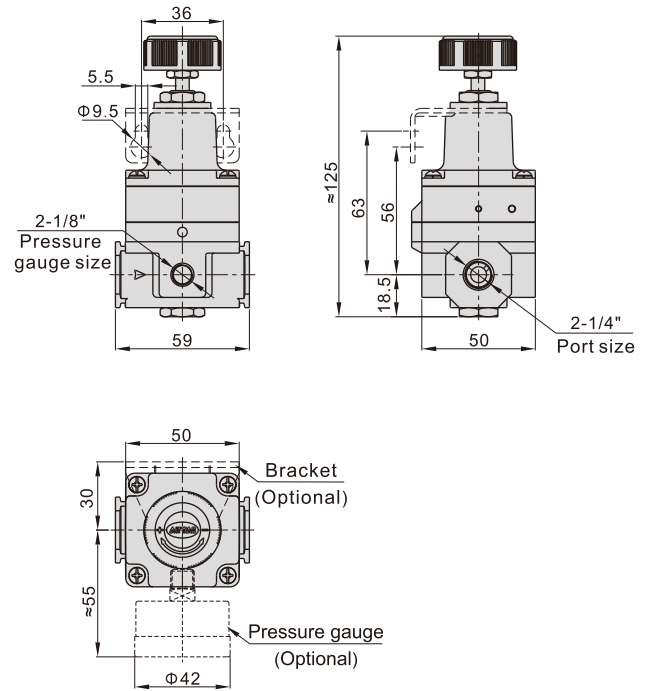
GPR Series Precision Regulator

Dimensions

GPR200



GPR300



GPR400

